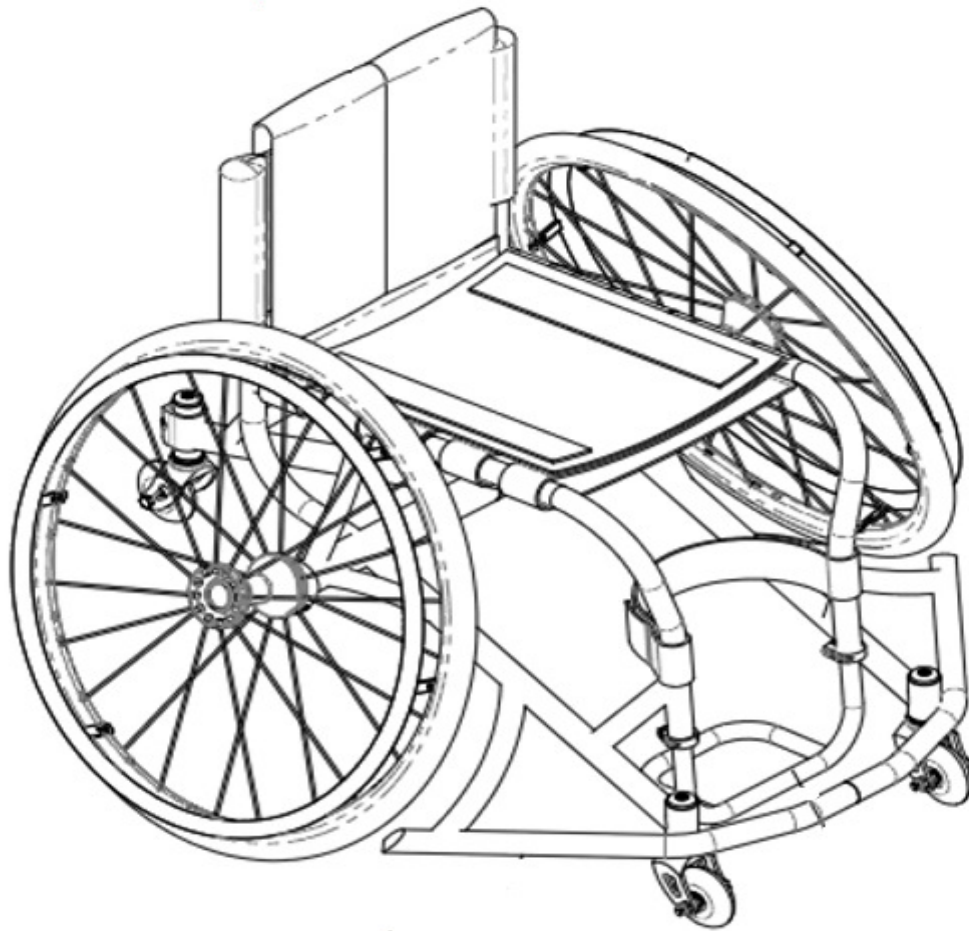




Sports and Recreation Products
4501 63rd Circle North
Pinellas Park, FL 33781
(800) 532-8677 (727) 522-8677
Fax: (727)522-1007

Invacare Top End Parts Catalog

Top End Schulte 7000 Series BB & T-5 Tennis

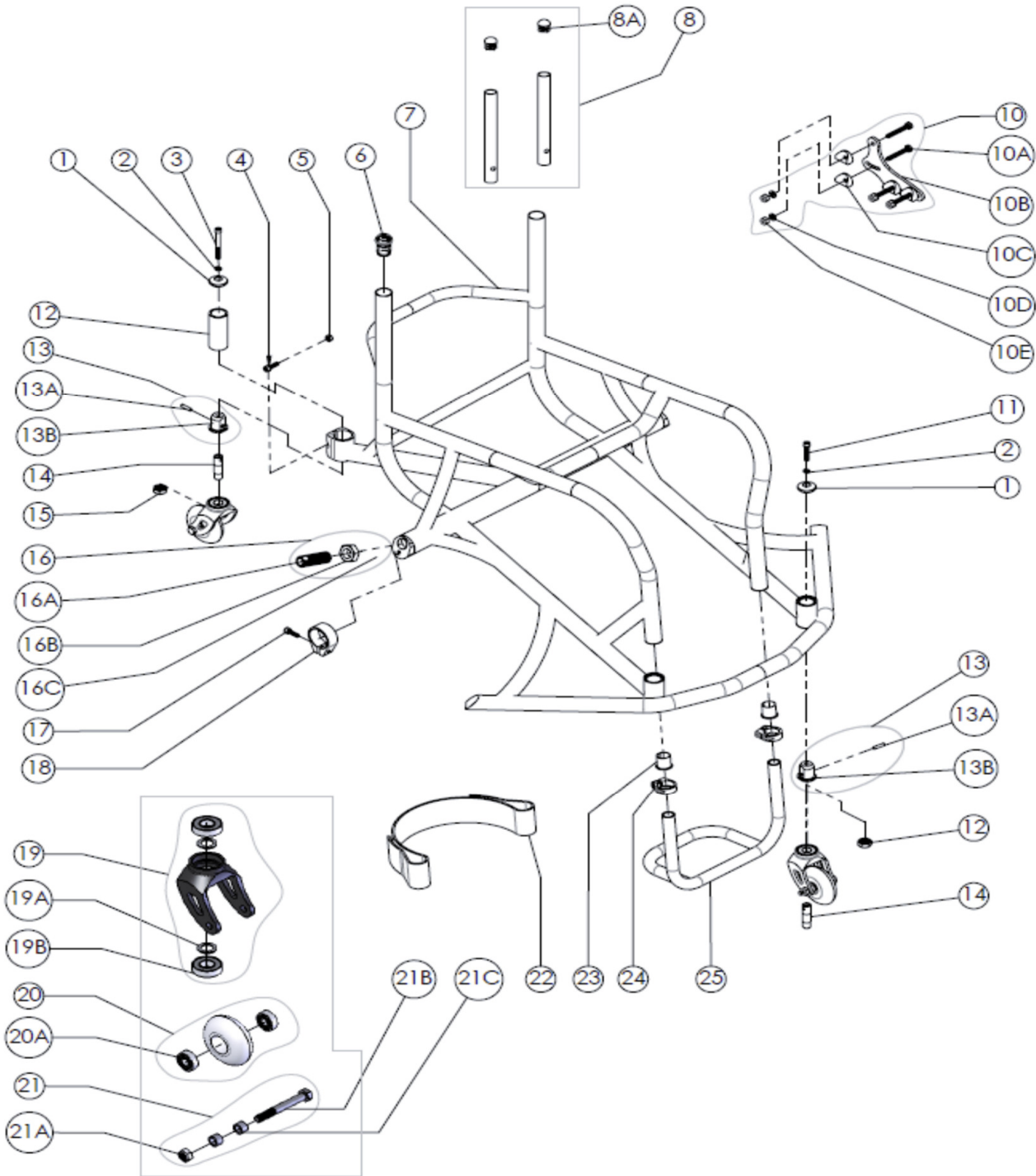





Sports and Recreation Products
4501 63rd Circle North
Pinellas Park, FL 33781
(800) 532-8677 (727) 522-8677
Fax: (727)522-1007

Invacare Top End Parts Catalog

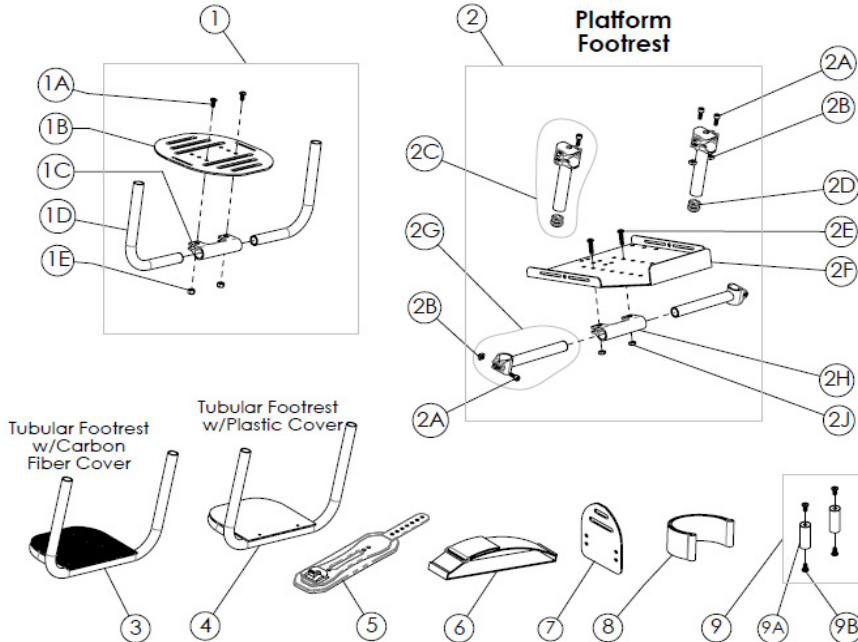
Top End Schulte 7000 Series BB & T-5 Tennis



	Invacare Top End Sports and Recreation Products		Parts Order Diagram:	
	(800) 532-8677 (727) 522-8677 fax: (727) 522-1007		7000 Series BB/T-5: Frame Assembly	
Date:	PO#:	SO#:		
Bill To:		Ship To:		
Quote #:	Phone:	Serial #:		

ITEM NO.	PART NUMBER	PER Chair	DESCRIPTION	ORDER QTY	
1	1166364	3	Headtube Cap		EA
2	1180956	4	Washer, M6 Split-Lock		EA
3	1166537	2	Screw, 1/4-28 x 2-1/4 SHCS, Stainless Steel Rear Caster		EA
4	1060247	2	Screw, M6 x 20mm SHCS		EA
5	1109805	2	Nut, M6 Locknut		EA
6	1181567	2	1" Aluminum Domed Plug		EA
	1139805	2	1" Plastic Domed Plug		EA
7	1166439	1	Frame: 7005 BB Aluminum, Send new complete chair order form.	Original Serial #: <input type="text"/>	EA
	1166440	1	Frame: 7005 T-5 Tennis Aluminum, Send new complete chair order form.	Original Serial #: <input type="text"/>	EA
8	1026972	1	Adj. Height Back Extensions (Pair) <input type="checkbox"/> Fixed Back <input type="checkbox"/> Adjustable Back		EA
8A	1181568	2	3/4" Aluminum Domed Plug for Adjustable Back		EA
	1139803	2	3/4" Plastic Domed Plug for Adjustable Back		EA
9	1153112	1	Frame, Backrest - Seat Width: <input type="text"/> Back Height: <input type="text"/>		EA
10	1166452	2	Backrest Bracket Asm (incl: (1) Bracket, (4) bolts, (4) coved washers, (4) nuts)		EA
10A	1001762	8	Screw, 1/4-20 x 1-3/4", HHCS		EA
10B	1152962	2	Backrest Bracket, Adjustable		EA
10C	1153153	8	Washer, Coved Aluminum 1 in.		EA
10D	1026907	8	Washer, 1/4" Flat Black		EA
10E	1025736	8	Locknut, 1/4-20 Nylock Thick SS		EA
11	1156718	2	Screw, 1/4-28 x 1-1/4 SHCS, SS (Front Caster)		EA
12	1166383	1	Headtube, Anti-Tip		EA
13	1166541	3	Headtube Bushing & Dowel Pin (3/16 x 3/4" LG) Assembly		EA
13A	1166437	4	Dowel Pin, 3/16" X 3/4" Long		EA
13B	1166361	4	Threaded-slip Bushing		EA
14	1181048	3	Fork Stem		EA
15	1025737	3	Nut, 1/2-20 Nylock (include washer)		EA
16	1166616	2	Axle Receiver, Lock Washer, Washer, Nut Assembly (Sport)		EA
16A	1026178	2	Threaded Receiver		EA
16B	1044945	2	Jamnut, 3/4-16		EA
16C	1180948	2	Serrated cone washer for axle receiver		EA
17	1061200	2	Screw, SHCS M6 x 16mm		EA
18	1060882	2	Camber Clamp Assembly		EA
19	1180978	3	3" Insert Fork Assembly (includes fork and two bearings)		EA
19A	1026174	6	1/2" Washer		EA
19B	1054030	6	Bearing, (1/2" ID x 1-1/8" OD), Fork (2 per each) Note: Bearings pressed in at factory)		EA
	1139783	1	Court Caster, 72mm, Front (2 Bearings Included)		EA
20	1145939	1	Court Caster, 59mm, Rear (2 Bearings Included)		EA
20A	40117x026	6	Bearing, (5/16" ID x 7/8" OD), Caster (2 per each) (Note: Bearings pressed in at factory)		EA
21	1139775	3	Caster Mounting Hardware Kit (Note: includes A, B, C)		EA
21A	1026158	3	Nut, 5/16-18 Nylock		EA
21B	1054005	3	Bolt, 5/16-18 x 2-1/2" black HHCS		EA
21C	1142947	3	Spacer, 5/16" ID x 5/16" Long		EA
22	1054268	1	Leg / Calf Strap <input type="checkbox"/> 8-10" (36") <input type="checkbox"/> 10.5-13" (41") <input type="checkbox"/> 13.5" + (46")	Footrest Width: <input type="text"/>	EA
24	1139810	2	Clamp, Footrest, 1" Dia.		EA
25	1143278	1	Tubular Footrest, (1) Piece Aluminum	Footrest Width: <input type="text"/>	EA
	1127929	1	Telescoping Removable anti-tip (Tennis chair)		EA
	TES1				EA

	Invacare Top End Sports and Recreation Products	Parts Order Diagram:
	(800) 532-8677 (727) 522-8677 fax: (727) 522-1007	7000 Series BB/T-5: Frame Assembly
Date:	PO#:	SO#:
Bill To:	Ship To:	
Quote #:	Phone:	Serial #:



ITEM NO.	PART NUMBER	PER Chair	DESCRIPTION	ORDER QTY	
1	1145905	1	Adjustable Angle Footrest Assembly (Sport)		EA
1A	1006773	2	Screw, 1/4-20 x 1/2 BHCS		EA
1B	1142938	1	Oval Footplate only (7-1/2" wide)		EA
1C	1166173	1	Clamp, Footrest		EA
1D	NA	1	Adjustable Footplate Tube		EA
1E	1025736	2	Locknut, 1/4-20 Nylock Thick SS		EA
2	1156728	1	Platform Footrest, Assy. (Note: includes items A through J)		EA
2A	1139755	6	Screw, M6-1 x 16mm SHCS SS		EA
2B	1180957	6	Square Nut, M6-1, Round Top		EA
2C	1195470	2	Footrest Clamp Assembly, 4" Vertical Recessed		EA
	1195471	2	Footrest Clamp Assembly, 5" Vertical Recessed		EA
2D	1139804	2	Plug, 7/8" Domed Black Plastic		EA
2E	1009837	2	Screw, 1/4-20 x 1 in., BHCS		EA
2F	1153152	1	Platform Footplate (10 1/2" x 10 1/2")		EA
2G	1195472	2	Footrest Clamp Assembly, 5.5" Horizontal Recessed		EA
	1195473	2	Footrest Clamp Assembly, 6.5" Horizontal Recessed		EA
	1195474	2	Footrest Clamp Assembly, 7.5" Horizontal Recessed		EA
	1195475	2	Footrest Clamp Assembly, 8.5" Horizontal Recessed		EA
2H	1166173	1	Clamp, Footrest		EA
2J	1025195	2	Locknut, 1/4-20 Nylock Thin		EA
3	1145907	1	Tubular Footrest, Alum w/ Carbon Fiber Cover	Footrest Width: <input type="text"/>	EA
4	1145906	1	Tubular Footrest, Alum w/ Plastic Cover	Footrest Width: <input type="text"/>	EA
5	1181315	1	Footrest, Click Strap assembly, Tubular		EA
	1181314	1	Footrest, Click Strap assembly, Platform		EA
6	1153249	1	Strap, D-Ring Footrest (30")		EA
7	1181373	1	Narrow 4" Footplate, Adjustable Angle (must be used with Clamp 1166173, Screw 1046421 & Nut 1065362)		EA
	1166173	1	Clamp, Footrest (accomodates countersunk bolts)		EA
	1046421	2	Screw, 1/4-28 x 1.00" long Flat Head Cap Screw		EA
	1065362	2	Nut, 1/4-28		EA
8	1065301	1	Heel Loop (includes (1) Loop, (2) spacers, (2) screws, (2) nuts)		EA
9	1116577	1	Adaptive Footplate Spacer Kit (spacers & screws), Risers:		EA
9A	1145920	2	Adaptive Footrest Spacer, 2 in.		EA
9B	1006773	4	Screw, 1/4-20 x 1/2 BHCS		EA
	TES1				EA



Invacare Top End Sports and Recreation Products

Parts Order Diagram:

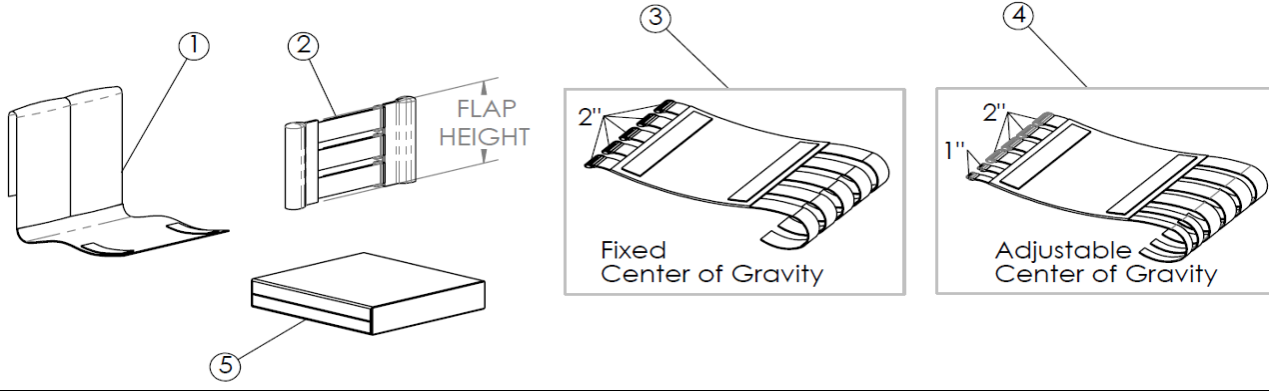
(800) 532-8677 (727) 522-8677 Fax: (727) 522-1007

7000 Series BB/PS7 T-5 Tennis: Wheel Assembly


Date:	PO#:	SO#:
Bill To:	Ship To:	
Quote #:	Phone:	Serial #:

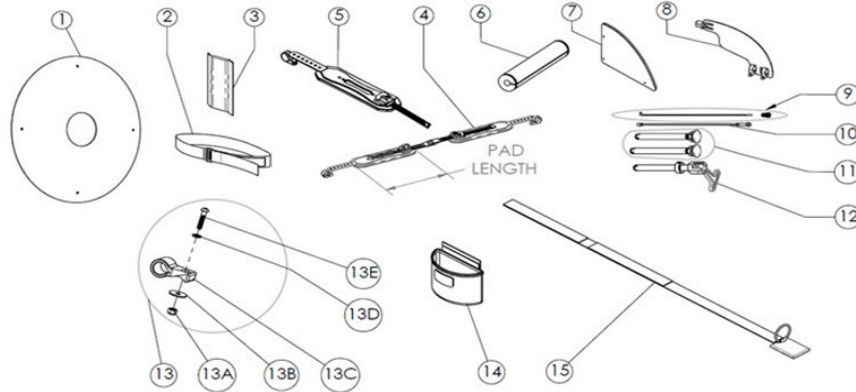
	ITEM NO.	PART NUMBER	PER CHAIR	DESCRIPTION	QTY	
WHEELS		1054054	2	24" (540) Sun Performance Rear Wheel: Radial		EA
		1060202	2	24" (540) Spinergy SPOX Wide Hub <input type="checkbox"/> Yellow <input type="checkbox"/> White <input type="checkbox"/> Red <input type="checkbox"/> Blue		EA
		1156703	2	24" (540) Spinergy SLX (4mm spoke) <input type="checkbox"/> Yellow <input type="checkbox"/> Black <input type="checkbox"/> White <input type="checkbox"/> Red <input type="checkbox"/> Blue		EA
		1166468	2	24" (540) Sun Equalizer Sport Wheel, (36 spoke, cross-laced, Includes 6 tabs HR)		EA
		1054055	2	25" (559) Sun Performance Rear Wheel: Radial		EA
		1060892	2	25" (559) Spinergy SPOX Wide Hub <input type="checkbox"/> Yellow <input type="checkbox"/> White <input type="checkbox"/> Red <input type="checkbox"/> Blue		EA
		1156704	2	25" (559) Spinergy SLX (4mm spoke) <input type="checkbox"/> Yellow <input type="checkbox"/> Black <input type="checkbox"/> White <input type="checkbox"/> Red <input type="checkbox"/> Blue		EA
		1166465	2	25" (559) Sun Equalizer Wheel, (38 spoke, cross-laced, Includes 12 tabs HR)		EA
		1054056	2	26" (590) Sun Performance Rear Wheel: Radial		EA
		1059424	2	26" (590) Spinergy SPOX Wide Hub <input type="checkbox"/> Yellow <input type="checkbox"/> White <input type="checkbox"/> Red <input type="checkbox"/> Blue		EA
		1156705	2	26" (590) Spinergy SLX (4mm spoke) <input type="checkbox"/> Yellow <input type="checkbox"/> Black <input type="checkbox"/> White <input type="checkbox"/> Red <input type="checkbox"/> Blue		EA
		1166466	2	26" (590) Sun Equalizer Wheel, (48 spoke, cross-laced, Includes 12 tabs HR)		EA
		1139780	2	27" (700c) Sun Performance Rear Wheel: Radial		EA
		1116517	2	27" (700c) Spinergy SPOX Wide Hub <input type="checkbox"/> Yellow <input type="checkbox"/> White <input type="checkbox"/> Red <input type="checkbox"/> Blue		EA
		1166467	2	27" (700c) Sun Equalizer Wheel, (48 spoke, cross-laced, Includes 12 tabs HR)		EA
	1156716	2	27" (700c) Spinergy SLX (4mm spoke) <input type="checkbox"/> Yellow <input type="checkbox"/> Black <input type="checkbox"/> White <input type="checkbox"/> Red <input type="checkbox"/> Blue		EA	
HANDRIMS		1054083	2	24" Anodized Handrim 6-Tab		EA
		1054085	2	25" Anodized Handrim 6-Tab		EA
		1054087	2	26" Anodized Handrim 6-Tab		EA
		1054089	2	700 Anodized Handrim 6-Tab		EA
		1152955	2	25" Anodized Handrim 12-tab (for use on Spinergy wheels only)		EA
		1152956	2	26" Anodized Handrim 12-tab (for use on Spinergy wheels only)		EA
		1152957	2	27" (700c) Anodized Handrim 12-Tab (for use on Spinergy wheels only)		EA
		1145898	2	Handrim Hardware Kit (6) 10-32 x 1/2" Screws, (6) 10-32 Locknuts		EA
TIRES AND TUBES		1054064	2	24" (540) Primo V Track High Pressure Clincher Tire		EA
		1195207	2	24" (540) Primo Tire, Clincher, Red (recommended to purchase in pairs to ensure matching tires)		EA
		1127918	2	24" (540) Kenda Sport Tire, Clincher, Yellow		EA
		1105941	2	24" (540) Tube (Presta Valve)		EA
		1032240	2	24" (540) Tube (Schrader Valve)		EA
		1054067	2	25" (559) Primo V Track High Pressure Clincher Tire		EA
		1195208	2	25" (559) Primo Tire, Clincher, Red (recommended to purchase in pairs to ensure matching tires)		EA
		1127919	2	25" (559) Kenda Sport Tire, Clincher, Yellow		EA
		1104326	2	25" (559) Tube (Presta Valve)		EA
		1181703	2	25" (559) Tube (Schrader Valve)		EA
		1054066	2	26" (590) Primo V Track High Pressure Clincher Tire		EA
		1195209	2	26" (590) Primo Tire, Clincher, Red (recommended to purchase in pairs to ensure matching tires)		EA
		1127920	2	26" (590) Kenda Sport Tire, Clincher, Yellow		EA
		1054074	2	26" (590) Tube (Presta Valve)		EA
		1029471	2	26" (590) Tube (Schrader Valve)		EA
		1060115	2	27" (700c) Primo High Pressure Clincher Tire		EA
		1181316	2	Tire, IRC 700c Red		EA
		1156708	2	27" (700c) Kenda Sport Tire, Clincher, Yellow		EA
		1054075	2	27" (700c) Tube (Presta Valve)		EA
		1185080	2	Rim Strip, Nylon 24" (540) x 16mm Wide		EA
	1185081	2	Rim Strip, Nylon 25" (559) x 16mm Wide		EA	
	1185082	2	Rim Strip, Nylon 26" (590) x 16mm Wide		EA	
	1139811	2	Rim Strip, Nylon 700C x 16mm Wide		EA	
OTHER		TER40	2	Cut Tabs Aluminum pushrim		EA
		TERTI40	2	Cut Tabs Titanium pushrim		EA
		NA	1	Assemble Wheel? <input type="checkbox"/> Yes <input type="checkbox"/> No		EA
		NA	1	Handrim Assembly: <input type="checkbox"/> STD Mount <input type="checkbox"/> Close Mount		EA
		TES1				EA

	Invacare Top End Sports and Recreation Products	Parts Order Diagram:	
	(800) 532-8677 (727) 522-8677 fax: (727) 522-1007	7000 Series BB/T-5: Upholstery	
Date: <input type="text"/>	PO#: <input type="text"/>	SO#: <input type="text"/>	
Bill To: <input type="text"/>		Ship To: <input type="text"/>	
Quote #: <input type="text"/>	Phone: <input type="text"/>	Serial #: <input type="text"/>	



ITEM NO.	PART NUMBER	PER Chair	DESCRIPTION			ORDER QTY	
1	1127960	1	Back Center	Back Height: <input type="text"/>	Seat Width: <input type="text"/>	<input type="text"/>	EA
2	1181597	1	Adj. Tension Back Anc & Adj 3.0" Flap	Typically used for low back heights with side guards	Seat Width: <input type="text"/>	<input type="text"/>	EA
	1181598	1	Adj. Tension Back Anc & Adj 4.0" Flap	Typically used for low back heights with side guards	Seat Width: <input type="text"/>	<input type="text"/>	EA
	1181599	1	Adj. Tension Back Anc & Adj 5.0" Flap	(BH: 8" Fixed & 9-11" Adj)	Seat Width: <input type="text"/>	<input type="text"/>	EA
				(BH: 8.5" Fixed & 9-11" Adj)			
				(BH: 9" Fixed & 9-11" Adj)			
				(BH: 9.5" Fixed & 9-11" Adj)			
	1181600	1	Adj. Tension Back Anc & Adj 6.0" Flap	Typically used for low back heights with side guards	Seat Width: <input type="text"/>	<input type="text"/>	EA
	1181807	1	Adj. Tension Back Anc & Adj 7.0" Flap	(BH: 10" Fixed & 10-14" Adj)	Seat Width: <input type="text"/>	<input type="text"/>	EA
				(BH: 10.5" Fixed & 10-14" Adj)			
				(BH: 11" Fixed & 10-14" Adj)			
(BH: 11.5" Fixed & 10-14" Adj)							
1181601	1	Adj. Tension Back Anc & Adj 8.0" Flap	(BH: 12" Fixed & 12-16" Adj)	Seat Width: <input type="text"/>	<input type="text"/>	EA	
			(BH: 12.5" Fixed & 12-16" Adj)				
			(BH: 13" Fixed & 12-16" Adj)				
			(BH: 13.5" Fixed & 12-16" Adj)				
1181603	1	Adj. Tension Back Anc & Adj 10.0" Flap	(BH: 14" Fixed & 14-18" Adj)	Seat Width: <input type="text"/>	<input type="text"/>	EA	
			(BH: 14.5" Fixed & 14-18" Adj)				
			(BH: 15" Fixed & 14-18" Adj)				
			(BH: 15.5" Fixed & 14-18" Adj)				
1181605	1	Adj. Tension Back Anc & Adj 12.0" Flap	(BH: 16" Fixed & 16-20" Adj)	Seat Width: <input type="text"/>	<input type="text"/>	EA	
	1181185	1	Leather Upgrade, w/Alum Dome Plug Back Style: <input type="checkbox"/> Fixed <input type="checkbox"/> Adjustable	Back Height: <input type="text"/>	Seat Width: <input type="text"/>	<input type="text"/>	EA
3	1127963	1	Seat Uph. Fixed Center of Gravity	Seat Width: <input type="text"/>	Seat Depth: <input type="text"/>	<input type="text"/>	EA
4	1153134	1	Seat Uph. Adj. Center of Gravity	Seat Width: <input type="text"/>	Seat Depth: <input type="text"/>	<input type="text"/>	EA
5	1195327	1	Soft Seat Cushion, 2" Thick	Seat Width: <input type="text"/>	Seat Depth: <input type="text"/>	<input type="text"/>	EA
	1195328	1	Soft Seat Cushion, 3" Thick	Seat Width: <input type="text"/>	Seat Depth: <input type="text"/>	<input type="text"/>	EA
	1195329	1	Soft Seat Cushion, 4" Thick	Seat Width: <input type="text"/>	Seat Depth: <input type="text"/>	<input type="text"/>	EA
	1060130	1	Hard Cushion <input type="checkbox"/> 2 in. <input type="checkbox"/> 3 in. <input type="checkbox"/> 4 in.	Seat Width: <input type="text"/>	Seat Depth: <input type="text"/>	<input type="text"/>	EA

	Invacare Top End Sports and Recreation Products	Parts Order Diagram:
	(800) 532-8677 (727) 522-8677 fax: (727) 522-1007	7000 Series BB/T5: Accessories
Date:	PO#:	SO#:
Bill To:	Ship To:	
Quote #:	Phone:	Serial #:



ITEM NO.	PART NUMBER	PER CHAIR	DESCRIPTION	ORDER QTY.	
1	1059416	2	24" Spoke Guard Assembly, Black		EA
	1195304		24" Spoke Guard Assembly, Clear		EA
	1195306		25" Spoke Guard Assembly, Black		EA
	1195305		25" Spoke Guard Assembly, Clear		EA
	1059417		26" Spoke Guard Assembly, Black		EA
	1195307		26" Spoke Guard Assembly, Clear		EA
2	1195217	1	10" Seat Positioning Strap, Hook & Loop Style		EA
	1195218		12" Seat Positioning Strap, Hook & Loop Style		EA
	1195219		14" Seat Positioning Strap, Hook & Loop Style		EA
	1195220		16" Seat Positioning Strap, Hook & Loop Style		EA
	1195221		18" Seat Positioning Strap, Hook & Loop Style		EA
3	1145900	1	Front Frame Vertical Protectors (pair)		PR
4	1152963	1	Click Strap Set, 8" Pad Length (Small) (includes 4 heavy duty zip-ties)		EA
	1152964		Click Strap Set, 10" Pad Length (Medium) (includes 4 heavy duty zip-ties)		EA
	1152965		Click Strap Set, 12" Pad Length (Large) (includes 4 heavy duty zip-ties)		EA
5	1181539	2	Replacement 8" Single Pad, Small (includes 2 heavy duty zip-ties)		EA
	1181565		Replacement 10" Single Pad, Medium (includes 2 heavy duty zip-ties)		EA
	1181566		Replacement 12" Single Pad, Large (includes 2 heavy duty zip-ties)		EA
	1152983	na	Zip-tie, Heavy Duty, 8"x5/16" 120lbs (black)		EA
6	1146046	1	Sport Rear Frame Protector		EA
7	1059414	1	Fixed Aluminum Side Guard (RH & LH, Outline Required)		PR
8	1181811	2	Clamp-On Fixed Side Guard Assembly, 1" Clamp Large (9"x 14")		EA
	1181796		Clamp-On Fixed Side Guard Assembly, 1-1/8" Clamp Large (9"x 14") (HD Frame)		EA
	1181804		Clamp-On Fixed Side Guard Assembly, 1" Clamp Small (7"x 11")		EA
	1181805		Clamp-On Fixed Side Guard Assembly, 1-1/8" Clamp Small (7"x 11") (HD Frame)		EA
9	1059514	na	Metal Spoke w/Nipple Wheel Size: <input type="checkbox"/> 24" <input type="checkbox"/> 25" <input type="checkbox"/> 26" <input type="checkbox"/> 700C <input type="checkbox"/> Radial <input type="checkbox"/> Crossed		EA
10	1156712	na	Spinergy LX/SLX Spoke (4mm) Wheel Size: <input type="checkbox"/> 24" <input type="checkbox"/> 25" <input type="checkbox"/> 26" <input type="checkbox"/> 700C Wheel Color: <input type="checkbox"/> Yellow <input type="checkbox"/> Black <input type="checkbox"/> White <input type="checkbox"/> Red <input type="checkbox"/> Blue Hub Size: <input type="checkbox"/> Wide <input type="checkbox"/> Narrow		EA
11	1065303	2	Axle, Quick Release, Standard Length		EA
	1060140	2	Axle, Quick Release, Sport Length		EA
	1060842	2	Axle, Quick Release, Titanium for Standard Length		EA
	1060843	2	Axle, Quick Release, Titanium Sport Length		EA
12	1043487	2	Axle, Quad Release, Standard Length		EA
13	1181517	2	Webbing mount (Nylon) for Click Strap [with Hardware: 1 screw, 2 washers, 1 nut]		EA
13A	1025195	2	Locknut, 1/4-20 Thin		EA
13B	1166464	2	Washer, 0.281 x 1 x 0.063		EA
13C	1166622	2	Webbing mount for Click Strap		EA
13D	1026907	2	Washer, 0.257 x 0.5 x 0.055		EA
13E	1008432	2	Screw, 1/4"-20 x 1-1/4" in. Black		EA
14	1181578	NA	Tennis Ball Carry Bag		EA
15	1166701	1	Metal O-Ring Belt - Specify Seat Width:		EA
	1166554	NA	Basketball Carrying Bag		PR
	RACE4	NA	Top End Wheel Bag		PR
	TES1				EA