

Spare Parts Catalogue

Version: 2018/05/15a EN



Invacare[®] **Jasmine**



Yes, you can.®

General Information

For any order of spare parts the following information is required:

- Product type*
- Product name & model*
- Serial Number*
- Part-Number*
- Part-Description*

Exploded view drawings and code numbers are not contractual and subject to modification, in relation to Invacare® continuous product improvement policy to meet end users needs.

The reproduction or use of this work, or of any substantial part of this work, in any form or by any electronic, mechanical or other means, including photocopying, scanning and recording, and in any information storage and retrieval system, including electronic transmission, is forbidden without the prior written permission of Invacare® International Sarl.



Yes, you can.®

TABLE OF CONTENTS

Base and Legs

Base assembly with electrical legs	5
Actuator for electrical legs	6

Electrical Parts

Control units	7
---------------------	---

Mast and Boom

Mast assembly	8
Boom assembly	9
Actuator for mast and boom assembly	10

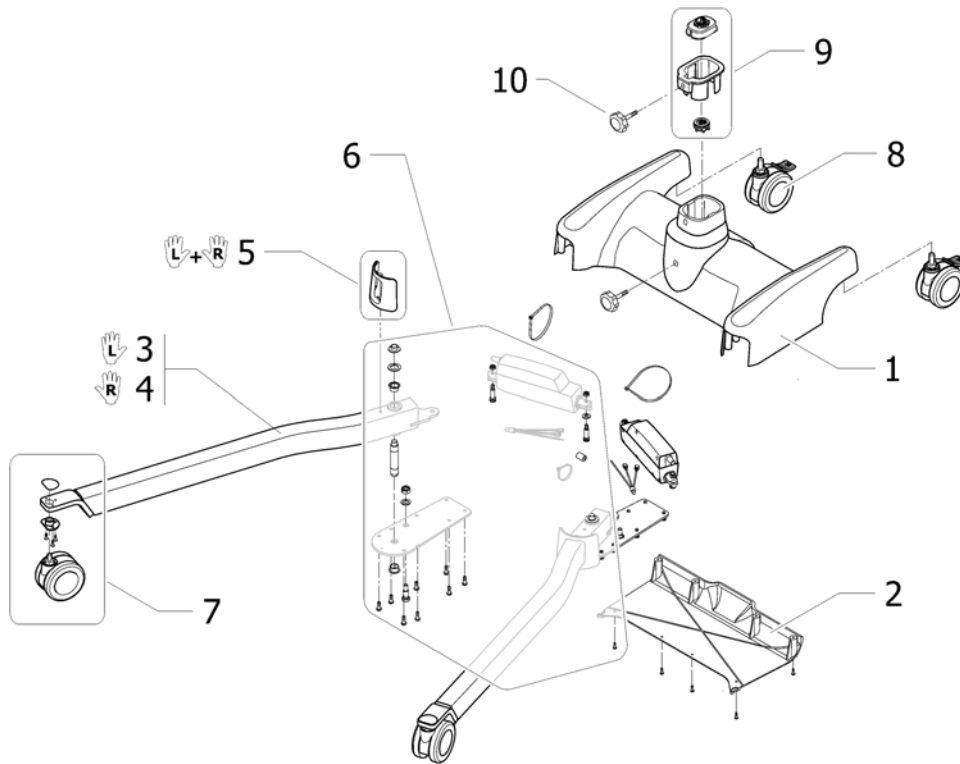
Spreader Bars

Spreader bar 2 points (450/550 mm)	11
Spreader bar 4 points (45/550 mm)	12

Accessories

Tools Kit	13
-----------------	----

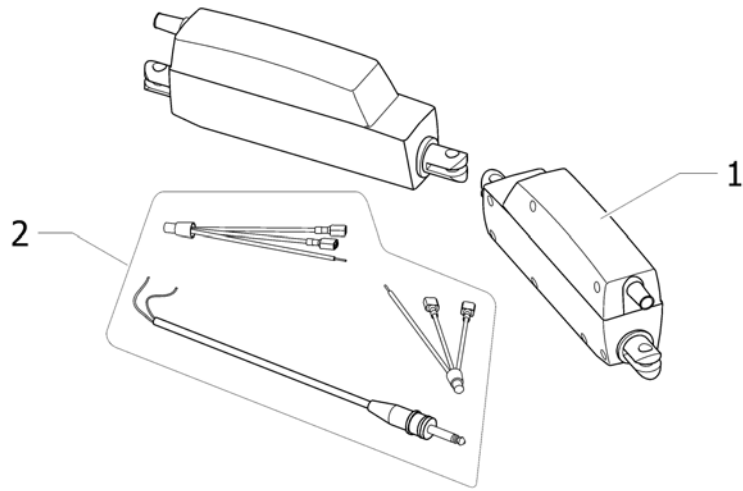
Base assembly with electrical legs



ISPS1545463

Pos.	Part number	Description	Valid from → until	Qty
1	1171524	Base for Jasmine&Roze, aluminum		1
2	1148607	Base plastic cover, blue		1
3	1146885	Left leg assembly for Jasmine		1
4	1146886	Right leg assembly for Jasmine		1
5	1161591	Kit toe protection Qty.2		1
6	1169844	Kit base hardware Qty.2		1
7	1161582	Kit front castor and hardware Qty.2		1
8	1148605	Rear castor with M12 Bolt		2
9	1171481	Kit mast/base socket		1
10	1148489	Knob, M8x1.25		2

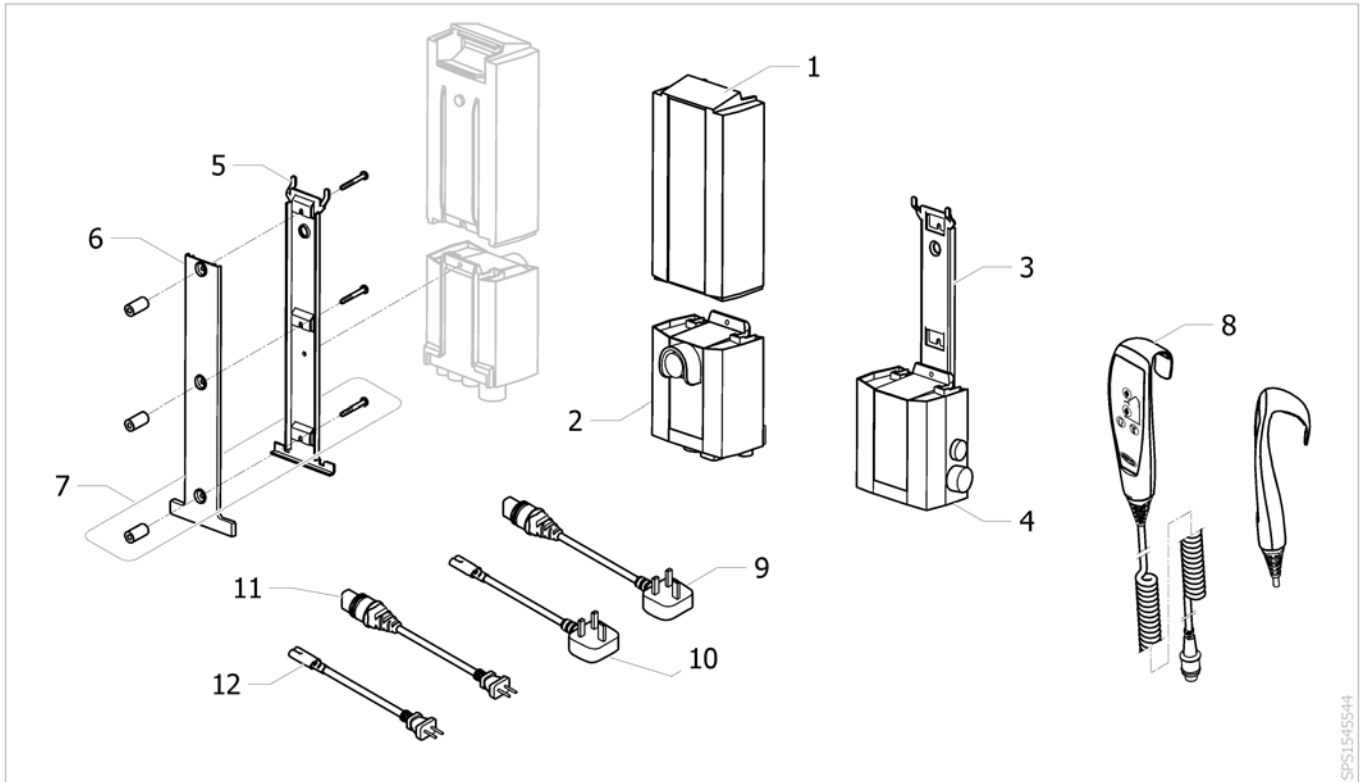
Actuator for electrical legs



!SPS1545512

Pos.	Part number	Description	Valid from → until	Qty
1	1171363	Actuator LINAK LA12		2
2	1171360	Kit controller wire		1

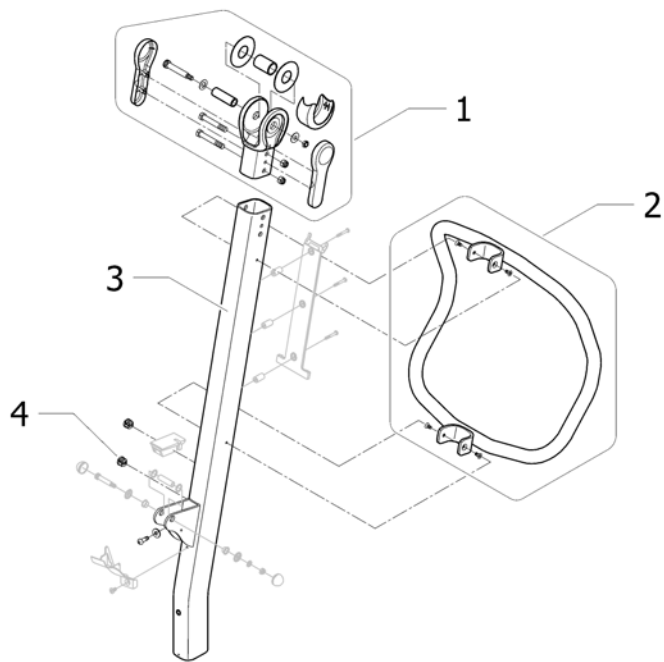
Control units



SPS1545544

Pos.	Part number	Description	Valid from → until	Qty
1	SP1514573-7035	Battery for CBJ control units		1
2	SP1528279-7035	Control Box Jumbo Care, electric leg		1
3	SP1078306	Bracket, Wall Mount Charger - Electric Only		1
4	SP1152391	Wall charger		1
5	1078284	Bracket battery (electric only)		1
6	1155348	Cover battery bracket		1
7	1161590	Kit battery bracket hardware		1
8	1177596	Handset, 4 Channel with Hook HB30002-XX		1
9	819430	Charger Cable (UK)		1
10	1155874	Mains Lead 3 Pin (UK)		1
11	1079135	Cord EU electric only (for Charger)		1
12	1155873	Cord EU electric only (for Controller)		1

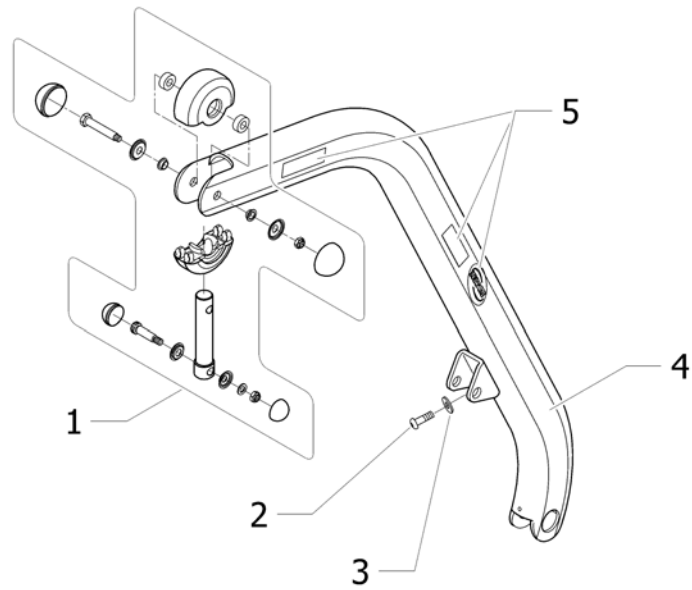
Mast assembly



!SPS1545545

Pos.	Part number	Description	Valid from → until	Qty
1	1169841	Kit mast connector		1
2	1161580	Kit push handle, blue		1
3	1146890	Mast for Jasmine		1
4	SP1161587	Package, Wire Lock Qty.10		2

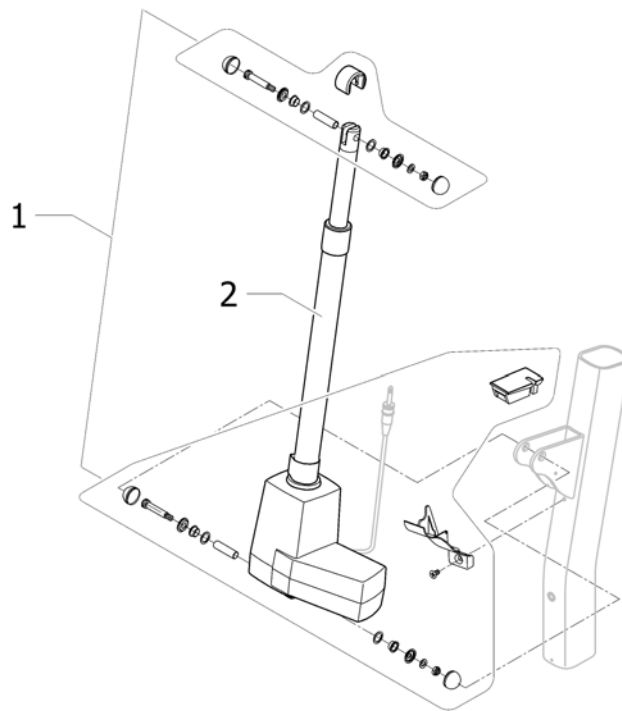
Boom assembly



ISPS1545546

Pos.	Part number	Description	Valid from → until	Qty
1	1156224	Kit hanger bar hardware (EU)		1
2	1148533	Screw (3/8 x 1-11/16,5")		1
3	1152387	Washer 11/32 x 7/8 x 5/64		1
4	1156017	Boom Full-Body Jasmine EU & AZ, white		1
5	1156225	Kit label and decal Jasmine (EU)		1

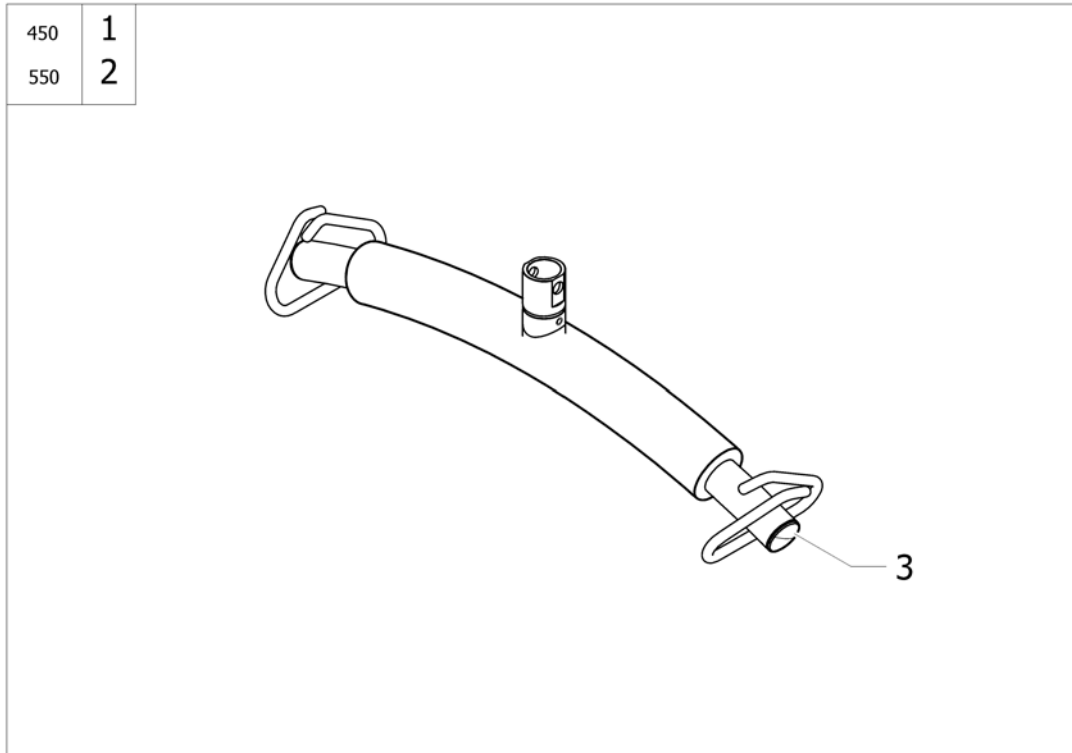
Actuator for mast and boom assembly



ISPS1545547

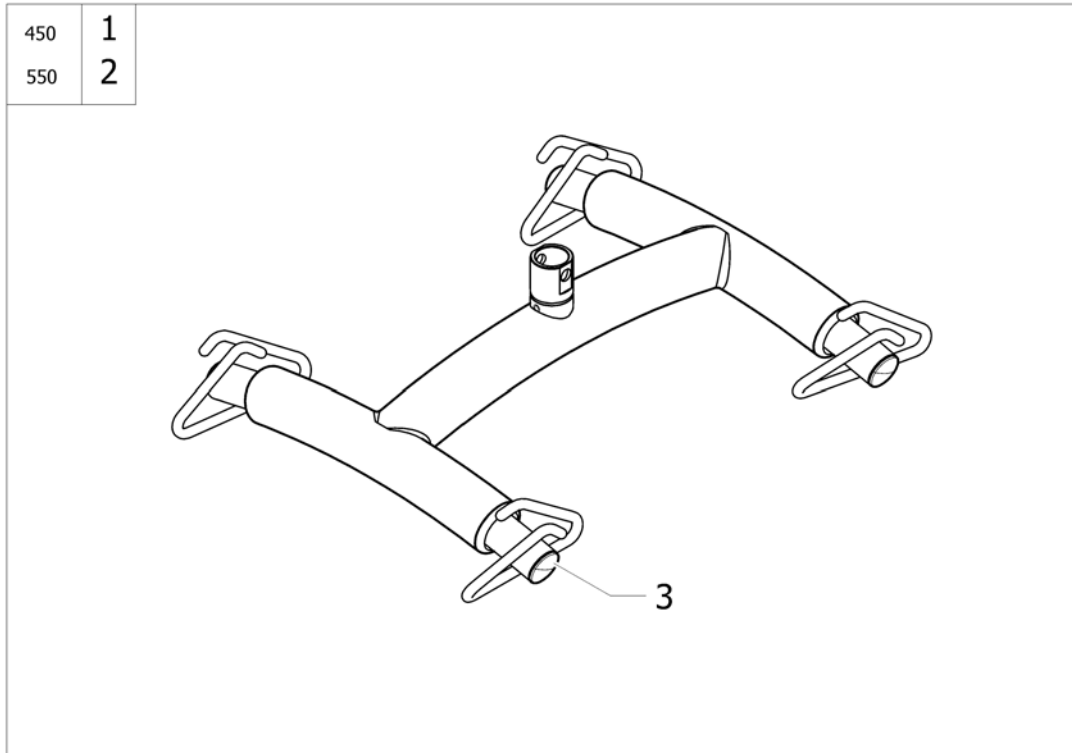
Pos.	Part number	Description	Valid from → until	Qty
1	1169843	Kit mast and boom actuator hardware		1
2	1148483	Actuator for mast LINAK LA34		1

Spreader bar 2 points (450/550 mm)



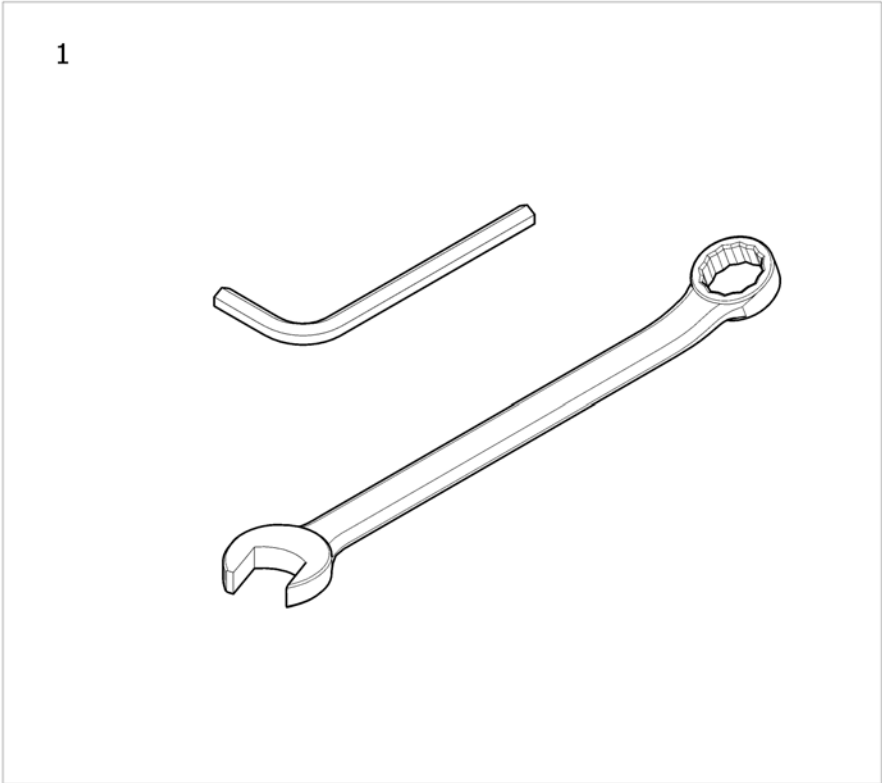
Pos.	Part number	Description	Valid from → until	Qty
1	1540375	Spreader bar 2pts 450mm		1
2	1540376	Spreader bar 2pts 550mm		1
3	SP1443855-7012	Ferrule Inside Diameter 30x3 (RAL 7012) Qty.2		2

Spreader bar 4 points (45/550 mm)



Pos.	Part number	Description	Valid from → until	Qty
1	1540377	Spreader bar 4pts 450mm		1
2	1540378	Spreader bar 4pts 550mm		1
3	SP1443855-7012	Ferrule Inside Diameter 30x3 (RAL 7012) Qty.2		2

Tools Kit



ISPS1641037

Pos.	Part number	Description	Valid from → until	Qty
1	SP1641706	Tool kit Jasmine		1



Yes, you can.®



Belgium & Luxemburg:

Invacare nv, Autobaan 22, B-8210 Loppem
Tel: (32) (0)50 83 10 10, Fax: (32) (0)50 83 10 11
belgium@invacare.com / www.invacare.be

Denmark:

Invacare A/S, Sdr. Ringvej 37, DK-2605 Brøndby
Tel: (45) (0)36 90 00 00, Fax: (45) (0)36 90 00 01
denmark@invacare.com / www.invacare.dk

Deutschland:

Invacare Aquatec GmbH, Alemannenstraße 10, D-88316 Isny
Tel: (49) (0)75 62 7 00 0, Fax: (49) (0)75 62 7 00 66
info@invacare-aquatec.com / www.invacare-aquatec.de

European Distributor Organisation:

Invacare, Kleiststraße 49, D-32457 Porta Westfalica
Tel: (49) (0)57 31 754 540, Fax: (49) (0)57 31 754 541
edo@invacare.com / www.invacare.eu.com

España:

Invacare SA, c/Areny s/n, Polígon Industrial de Celrà, E-17460 Celrà (Girona)
Tel: (34) (0)972 49 32 00, Fax: (34) (0)972 49 32 20
contactsp@invacare.com / www.invacare.es

France:

Invacare Poirier SAS, Route de St Roch, F-37230 Fondettes
Tel: (33) (0)2 47 62 64 66, Fax: (33) (0)2 47 42 12 24
contactfr@invacare.com / www.invacare.fr

Ireland:

Invacare Ireland Ltd, Unit 5 Seatown Business Campus, Seatown Road, Swords, County Dublin - Ireland
Tel: (353) 1 810 7084, Fax: (353) 1 810 7085
ireland@invacare.com / www.invacare.ie

Italia:

Invacare Mecc San s.r.l., Via dei Pini 62, I-36016 Thiene (VI)
Tel: (39) 0445 38 00 59, Fax: (39) 0445 38 00 34
italia@invacare.com / www.invacare.it

Nederland:

Invacare BV, Celsiusstraat 46, NL-6716 BZ Ede
Tel: (31) (0)318 695 757, Fax: (31) (0)318 695 758
nederland@invacare.com, csede@invacare.com / www.invacare.nl

Norge:

Invacare AS, Grensesvingen 9, Postboks 6230, Etterstad, N-0603 Oslo
Tel: (47) (0)22 57 95 00, Fax: (47) (0)22 57 95 01
norway@invacare.com, island@invacare.com / www.invacare.no

Österreich:

Invacare Austria GmbH, Herzog Odilostrasse 101, A-5310 Mondsee
Tel: (43) 6232 5535 0, Fax: (43) 6232 5535 4
info-austria@invacare.com / www.invacare.at

Portugal:

Invacare Lda, Rua Estrada Velha, 949, P-4465-784 Leça do Balio
Tel: (351) (0)225 1059 46/47, Fax: (351) (0)225 1057 39
portugal@invacare.com / www.invacare.pt

Sverige & Suomi:

Invacare AB, Fagerstagatan 9, S-163 91 Spånga
Tel: (46) (0)8 761 70 90, Fax: (46) (0)8 761 81 08
sweden@invacare.com, finland@invacare.com / www.invacare.se

Switzerland:

Invacare AG, Benkenstrasse 260, CH-4108 Witterswil
Tel: (41) (0)61 487 70 80, Fax: (41) (0)61 487 70 81
switzerland@invacare.com / www.invacare.ch

United Kingdom:

Invacare Limited, Pencoed Technology Park, Pencoed, Bridgend CF35 5AQ
Switchboard Tel: (44) (0)1656 776200, Fax: (44) (0)1656 776201
Customer services Tel: (44) (0)1656 776222, Fax: (44) (0)1656 776220
uk@invacare.com / www.invacare.co.uk