

# Spare Parts Catalogue

---

Version: 2017/06/12a EN



Invacare® Octave™



**Yes, you can.®**

## **General Information**

*For any order of spare parts the following information is required:*

- Product type*
- Product name & model*
- Serial Number*
- Part-Number*
- Part-Description*

*Exploded view drawings and code numbers are not contractual and subject to modification, in relation to Invacare® continuous product improvement policy to meet end users needs.*

*The reproduction or use of this work, or of any substantial part of this work, in any form or by any electronic, mechanical or other means, including photocopying, scanning and recording, and in any information storage and retrieval system, including electronic transmission, is forbidden without the prior written permission of Invacare® International Sarl.*



**Yes, you can.®**

## **TABLE OF CONTENTS**

---

### **Top frame and mattress support**

Mattress supports .....	5
-------------------------	---

### **Base frame**

Base frame .....	6
------------------	---

### **Castors and brake systems**

Central brake system .....	7
----------------------------	---

### **Bed ends and -plates**

Bed end, Irene .....	8
----------------------	---

### **Electrical parts**

Motors .....	9
Controlbox/handcontrol .....	10

### **Side rails**

Siderail, Line, alu .....	11
Siderail, Line, extendable, alu .....	12
Siderail, Britt V .....	13

### **Lifting pole**

Lifting pole .....	14
--------------------	----

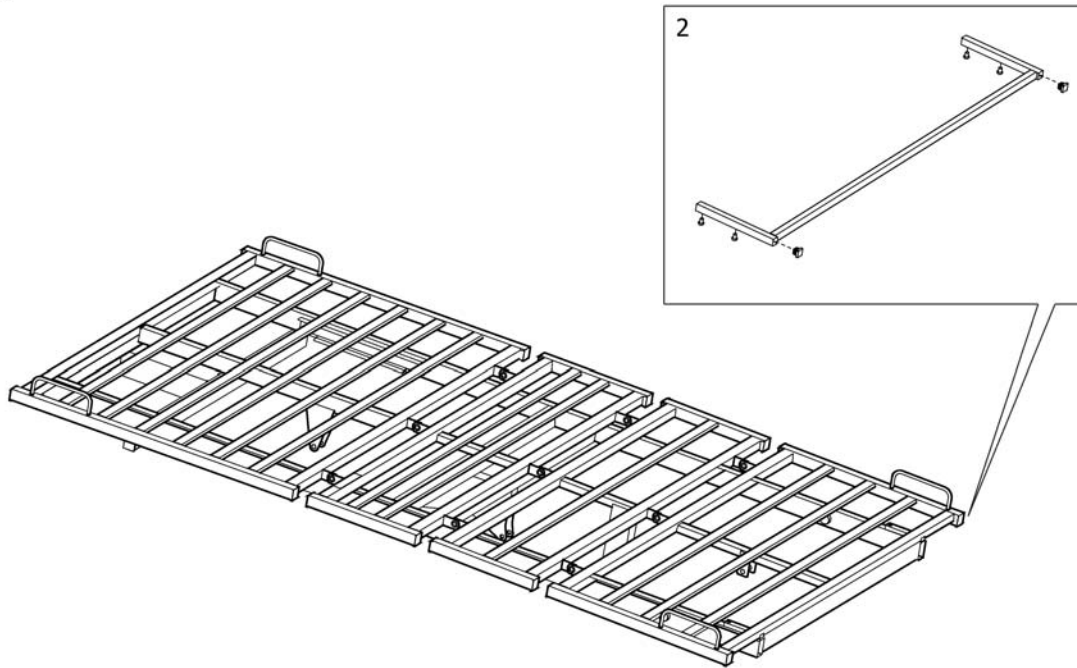
### **Accessories**

Support handle .....	15
Transport trolley .....	16



## Mattress supports

1

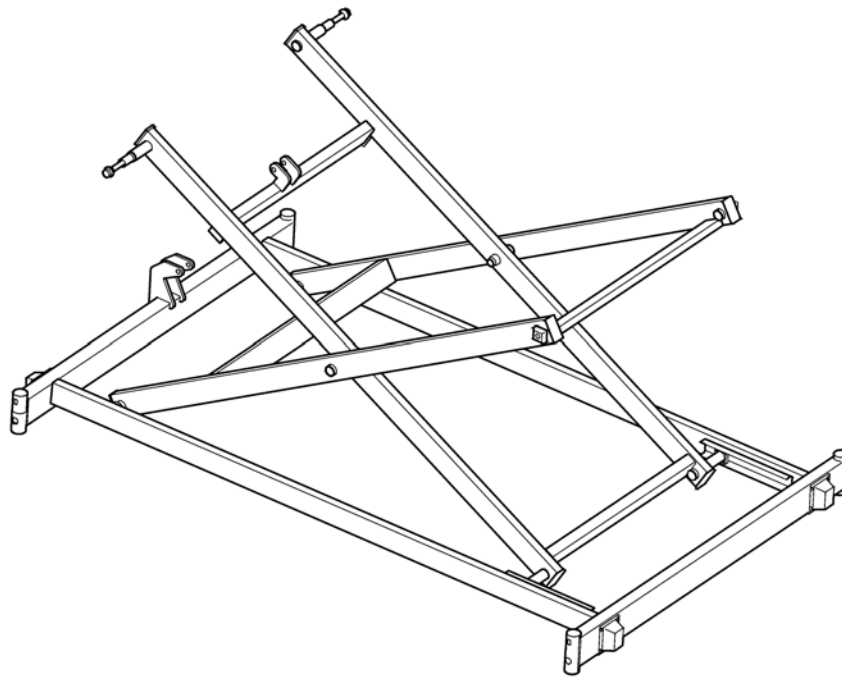


1451233

Pos.	Part number	Description	Valid from → until	Qty
1	1451233-0152	Mattress support		1
2	1446498-0152	Extension cpl., mattress supp.		1

# Base frame

1

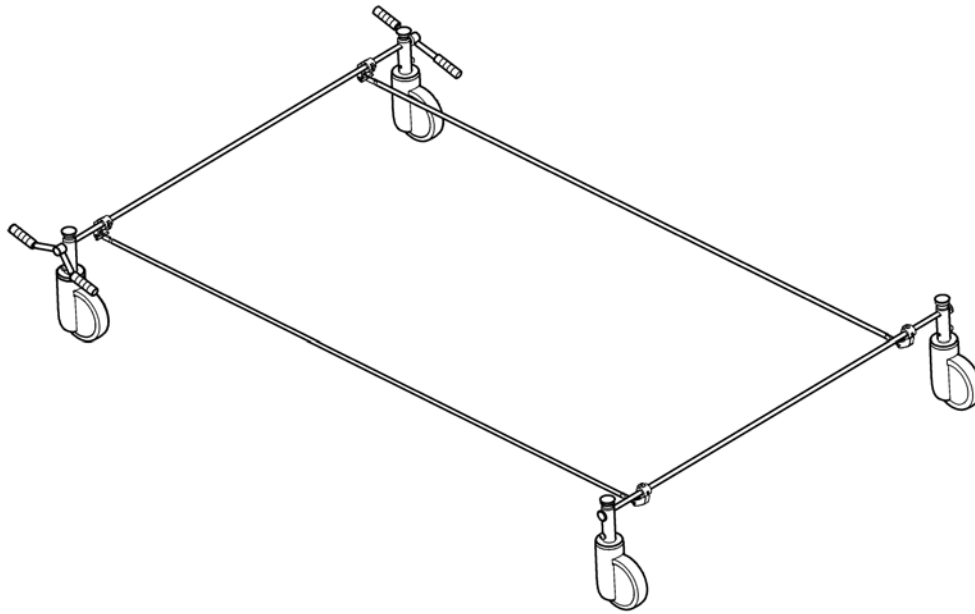


SP1449352

Pos.	Part number	Description	Valid from → until	Qty
1	SP1449352	Base frame assembly		1

## Central brake system

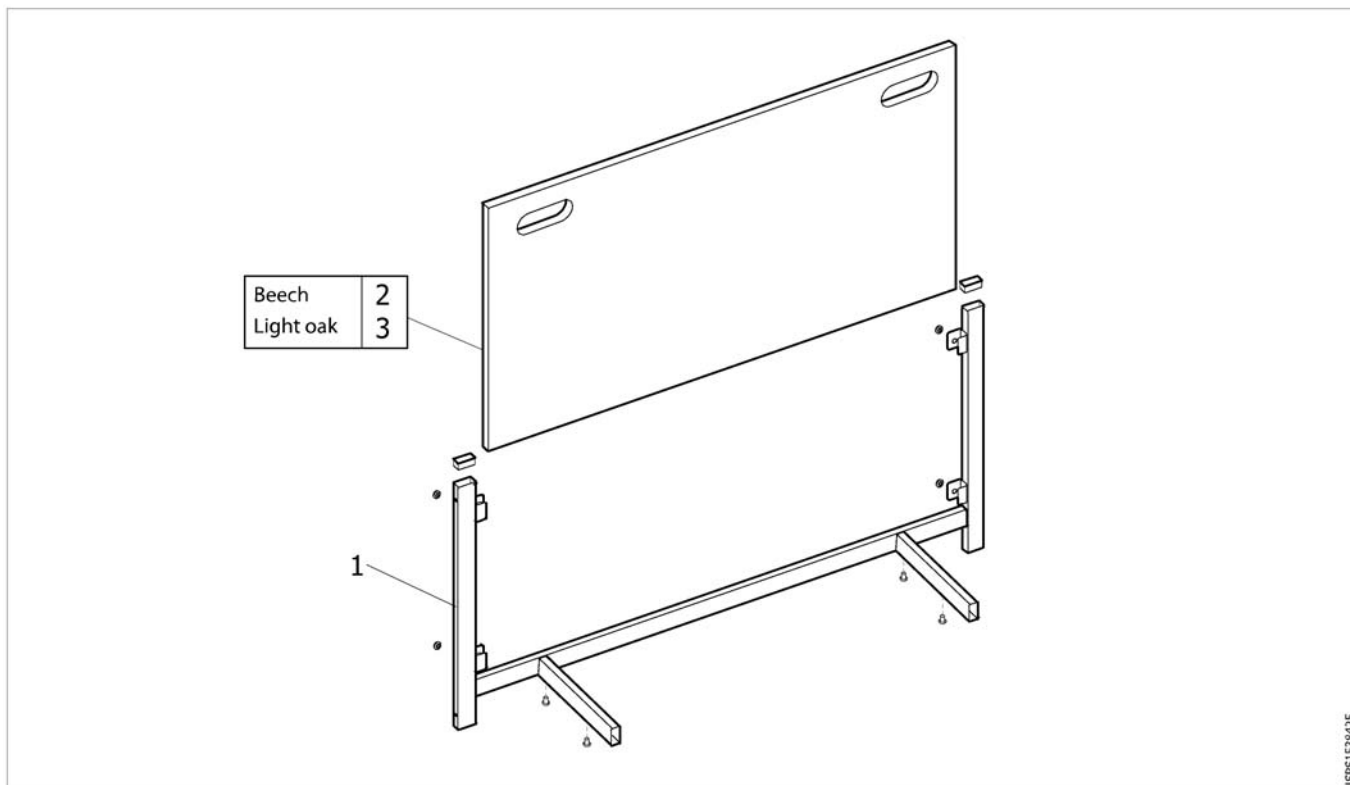
1



SP1449353

Pos.	Part number	Description	Valid from → until	Qty
1	SP1449353	Central brake system		1

## Bed end, Irene

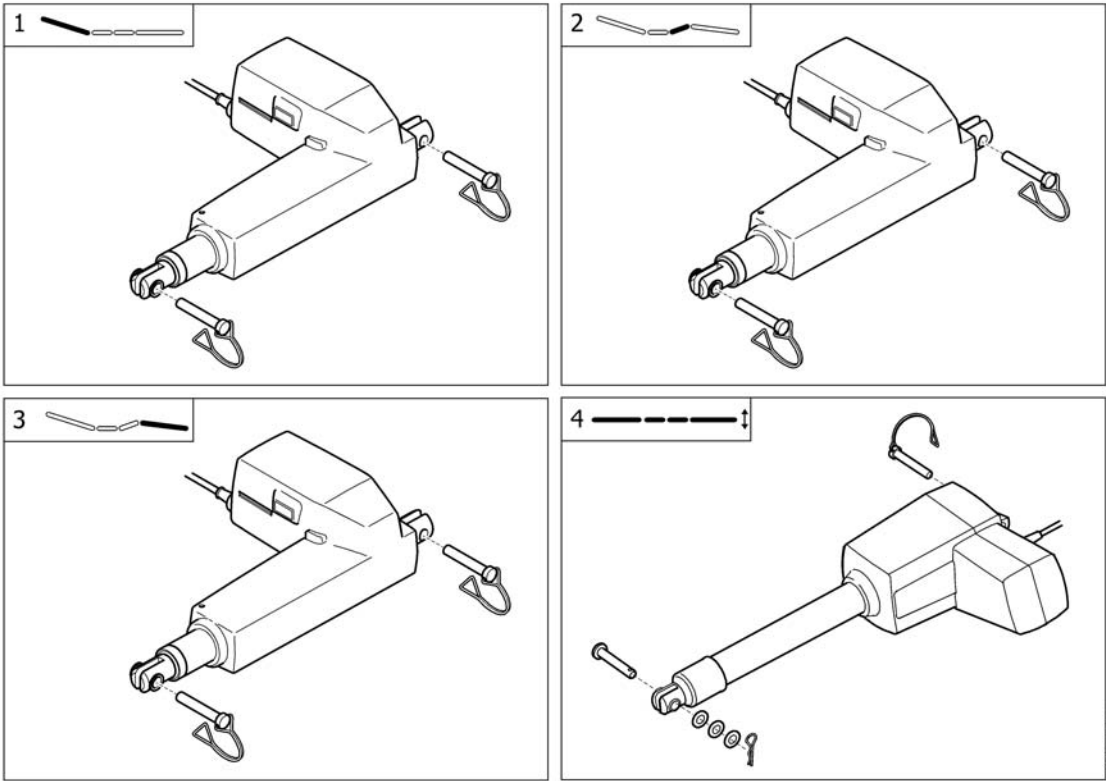


ISPS1538425

Pos.	Part number	Description	Valid from → until	Qty
1	1449351-0152	Frame, Irene bed end, Octave		1
2	1548868-0101	Bed end, Irene, pair, beech		1
3	SP1548868-0526	BED END IRENE 2, PAIR CPL. LIGHT OAK, OCTAVE		1

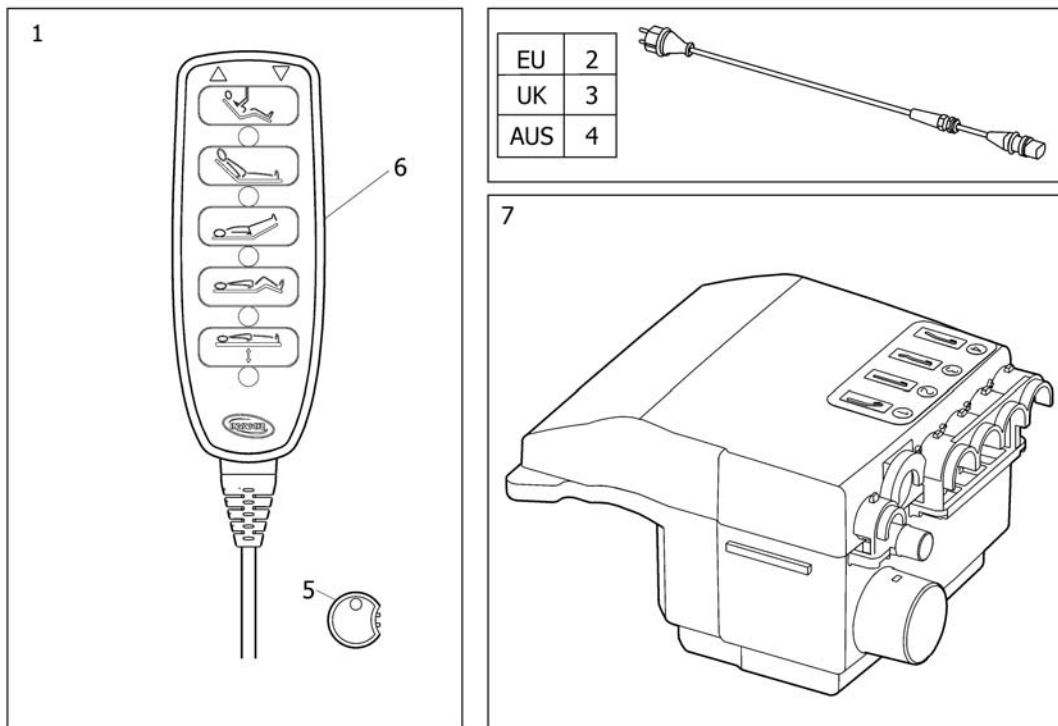


**Motors**



Pos.	Part number	Description	Valid from → until	Qty
1	SP1572837	Backrest adjustment motor		1
2	SP1572842	Thigh adjustment motor		1
3	SP1572843	Lower leg adjustment motor		1
4	SP1451270	Height adjustment motor		1

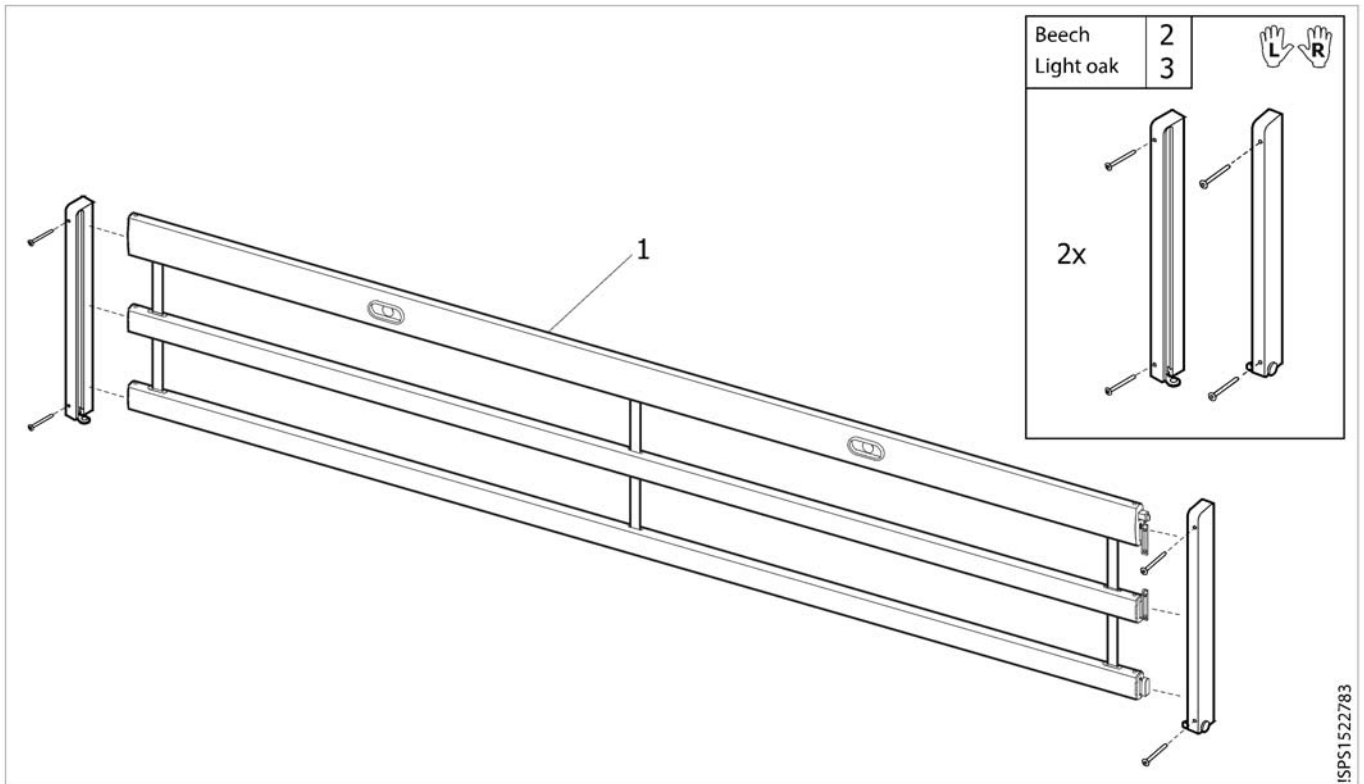
# Controlbox/handcontrol



1SPS1449356

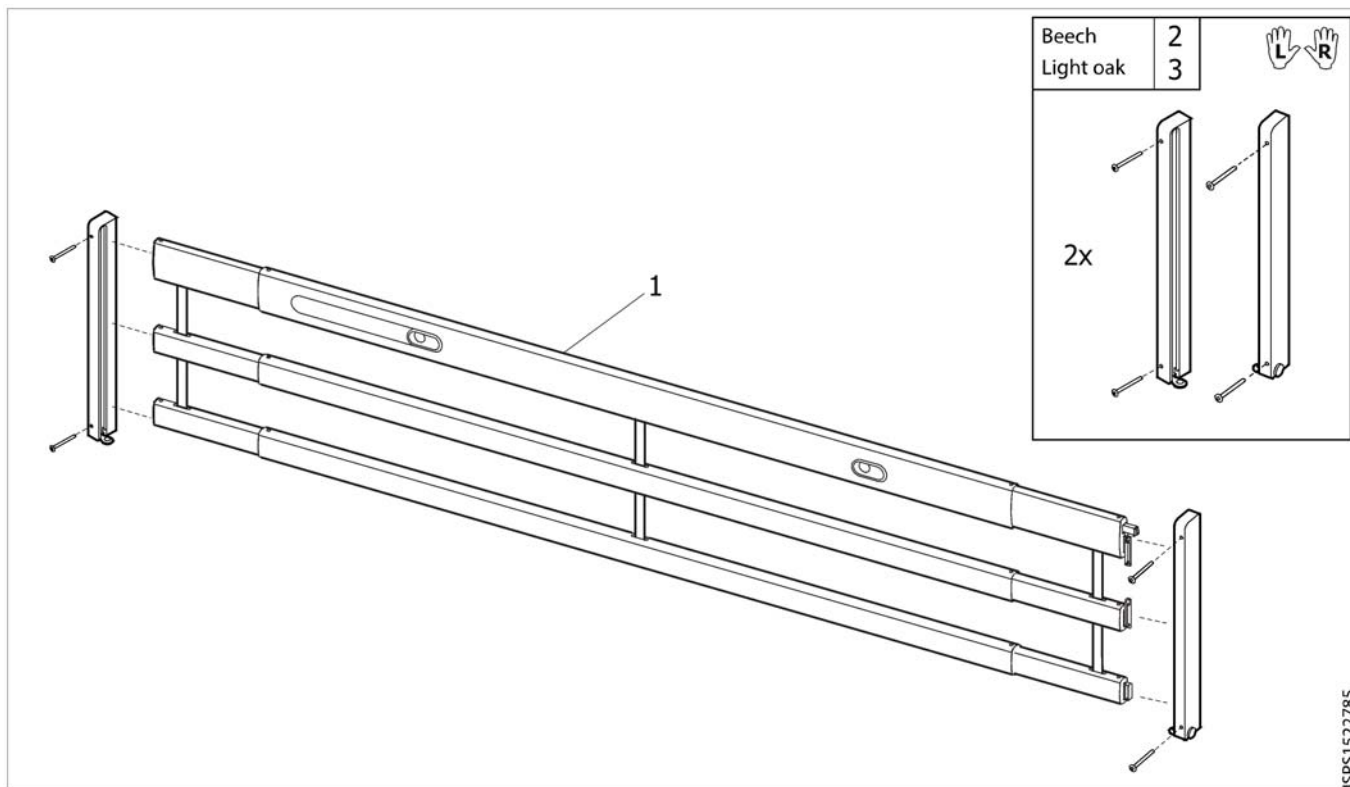
Pos.	Part number	Description	Valid from → until	Qty
1	1529915-7035	Hand control H85		1
2	SP1417517	EU Mains Cord		1
3	SP1484645-7035	Cable UK		1
4	SP1486643-7035	Cable AUS		1
5	SP1493529	BLOCKING KEY FOR H.C HL80		1
6	1531345-7035	Hand control, HB80 without key		1
7	1449356	Control box		1

## Siderail, Line, alu



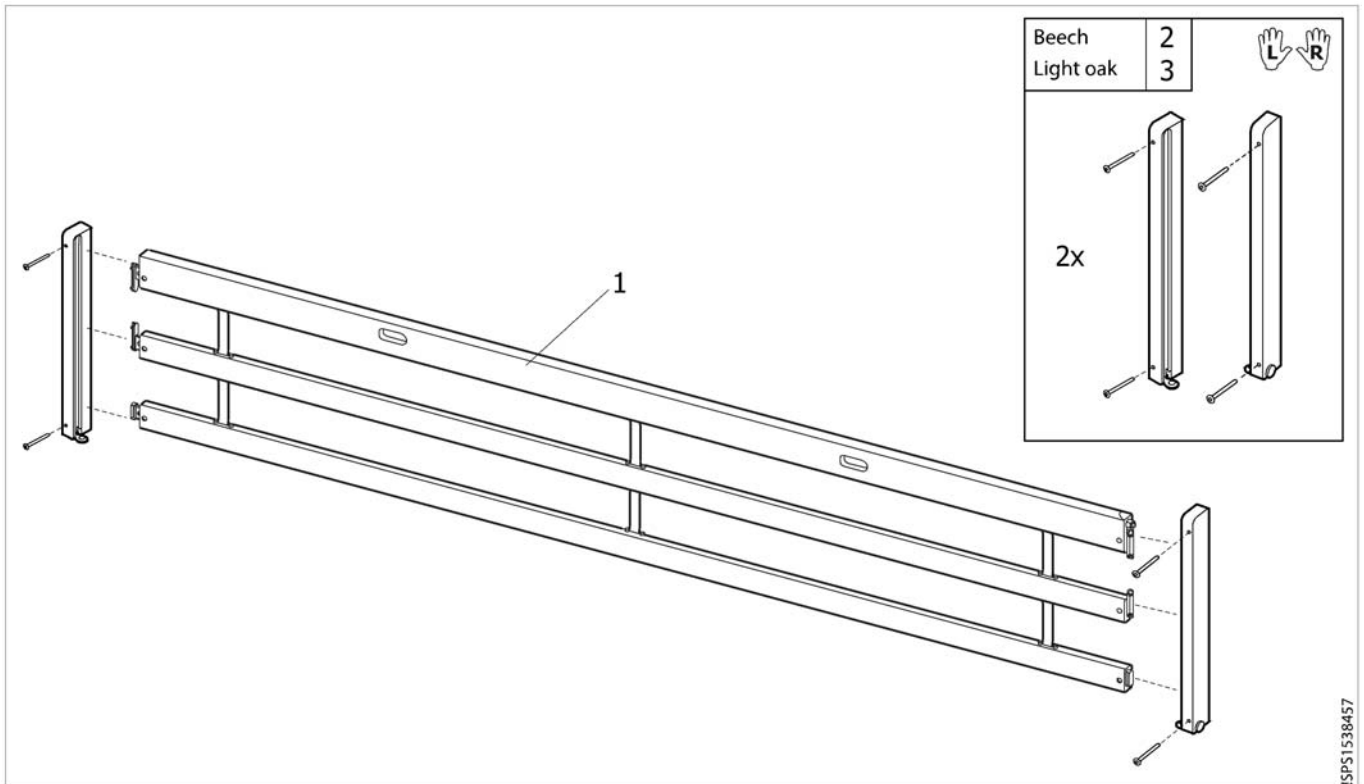
Pos.	Part number	Description	Valid from → until	Qty
1	1522786-0005	Line siderail, alu, pair		1
2	1544208-0101	Side posts, Pia (4 pcs)		1
3	SP1544208-0526	SIDE POSTS, PIA 2, 4 PCS LIGHT OAK, OCTAVE		1

# Siderail, Line, extendable, alu



Pos.	Part number	Description	Valid from → until	Qty
1	1522787-0005	Line siderail, alu, extendable		1
2	1544208-0101	Side posts, Pia (4 pcs)		1
3	SP1544208-0526	SIDE POSTS, PIA 2, 4 PCS LIGHT OAK, OCTAVE		1

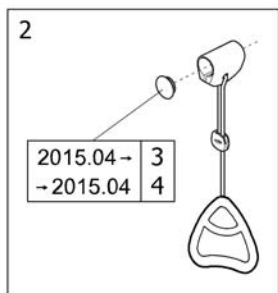
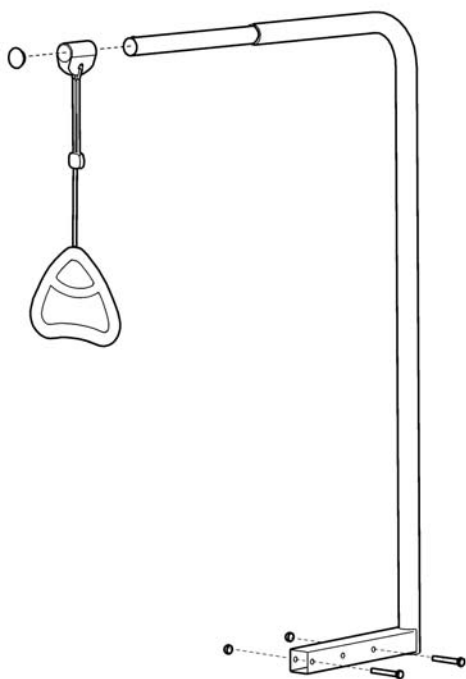
## Siderail, Britt V



Pos.	Part number	Description	Valid from → until	Qty
1	1538458-0101	Britt V siderail, beech, pair		1
2	1544208-0101	Side posts, Pia (4 pcs)		1
3	SP1544208-0526	SIDE POSTS, PIA 2, 4 PCS LIGHT OAK, OCTAVE		1

# Lifting pole

1

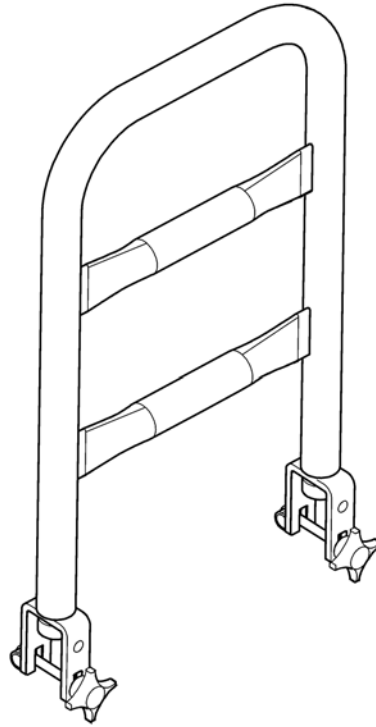


9E56H15651

Pos.	Part number	Description	Valid from → until	Qty
1	1449536	Lifting pole		1
2	SP320597	Lifting Pole Handle with Suspension Kit		1
3	SP317836	Cap 33mm, lifting pole		1
4	SP1574796	Cap 30mm, lifting pole		1

# Support handle

1

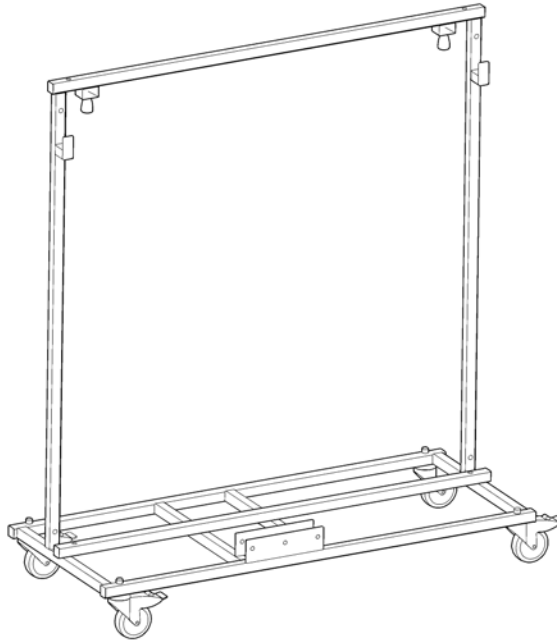


ES146353

Pos.	Part number	Description	Valid from → until	Qty
1	1446353-0152	Support handle		1

# Transport trolley

1



SP1478730

Pos.	Part number	Description	Valid from → until	Qty
1	SP1478730	Transport trolley		1







Yes, you can.®



---

**Belgium & Luxemburg:**

Invacare nv, Autobaan 22, B-8210 Loppem  
Tel: (32) (0)50 83 10 10, Fax: (32) (0)50 83 10 11  
belgium@invacare.com / www.invacare.be

**Denmark:**

Invacare A/S, Sdr. Ringvej 37, DK-2605 Brøndby  
Tel: (45) (0)36 90 00 00, Fax: (45) (0)36 90 00 01  
denmark@invacare.com / www.invacare.dk

**Deutschland:**

Invacare Aquatec GmbH, Alemannenstraße 10, D-88316 Isny  
Tel: (49) (0)75 62 7 00 0, Fax: (49) (0)75 62 7 00 66  
info@invacare-aquatec.com / www.invacare-aquatec.de

**European Distributor Organisation:**

Invacare, Kleiststraße 49, D-32457 Porta Westfalica  
Tel: (49) (0)57 31 754 540, Fax: (49) (0)57 31 754 541  
edo@invacare.com / www.invacare.eu.com

**España:**

Invacare SA, c/Areny s/n, Polígon Industrial de Celrà, E-17460 Celrà (Girona)  
Tel: (34) (0)972 49 32 00, Fax: (34) (0)972 49 32 20  
contactsp@invacare.com / www.invacare.es

**France:**

Invacare Poirier SAS, Route de St Roch, F-37230 Fondettes  
Tel: (33) (0)2 47 62 64 66, Fax: (33) (0)2 47 42 12 24  
contactfr@invacare.com / www.invacare.fr

**Ireland:**

Invacare Ireland Ltd, Unit 5 Seatown Business Campus, Seatown Road, Swords, County Dublin - Ireland  
Tel: (353) 1 810 7084, Fax: (353) 1 810 7085  
ireland@invacare.com / www.invacare.ie

**Italia:**

Invacare Mecc San s.r.l., Via dei Pini 62, I-36016 Thiene (VI)  
Tel: (39) 0445 38 00 59, Fax: (39) 0445 38 00 34  
italia@invacare.com / www.invacare.it

**Nederland:**

Invacare BV, Celsiusstraat 46, NL-6716 BZ Ede  
Tel: (31) (0)318 695 757, Fax: (31) (0)318 695 758  
nederland@invacare.com, csede@invacare.com / www.invacare.nl

**Norge:**

Invacare AS, Grensesvingen 9, Postboks 6230, Etterstad, N-0603 Oslo  
Tel: (47) (0)22 57 95 00, Fax: (47) (0)22 57 95 01  
norway@invacare.com, island@invacare.com / www.invacare.no

**Österreich:**

Invacare Austria GmbH, Herzog Odilostrasse 101, A-5310 Mondsee  
Tel: (43) 6232 5535 0, Fax: (43) 6232 5535 4  
info-austria@invacare.com / www.invacare.at

**Portugal:**

Invacare Lda, Rua Estrada Velha, 949, P-4465-784 Leça do Balio  
Tel: (351) (0)225 1059 46/47, Fax: (351) (0)225 1057 39  
portugal@invacare.com / www.invacare.pt

**Sverige & Suomi:**

Invacare AB, Fagerstagatan 9, S-163 91 Spånga  
Tel: (46) (0)8 761 70 90, Fax: (46) (0)8 761 81 08  
sweden@invacare.com, finland@invacare.com / www.invacare.se

**Switzerland:**

Invacare AG, Benkenstrasse 260, CH-4108 Witterswil  
Tel: (41) (0)61 487 70 80, Fax: (41) (0)61 487 70 81  
switzerland@invacare.com / www.invacare.ch

**United Kingdom:**

Invacare Limited, Pencoed Technology Park, Pencoed, Bridgend CF35 5AQ  
Switchboard Tel: (44) (0)1656 776200, Fax: (44) (0)1656 776201  
Customer services Tel: (44) (0)1656 776222, Fax: (44) (0)1656 776220  
uk@invacare.com / www.invacare.co.uk