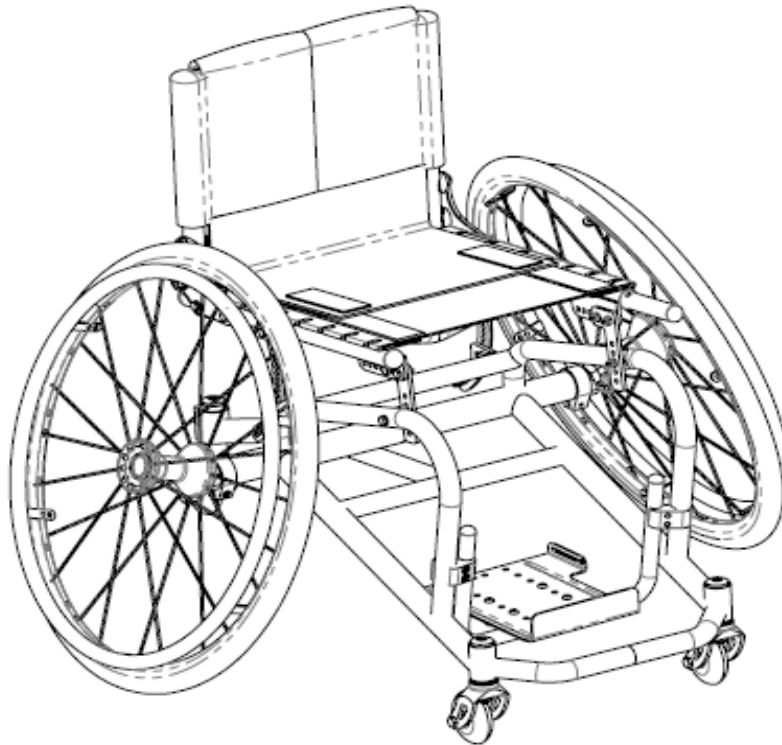




Sports and Recreation Products
4501 63rd Circle North
Pinellas Park, FL 33781
(800) 532-8677 (727) 522-8677
Fax: (727) 522-1007

Invacare Top End Parts Catalog

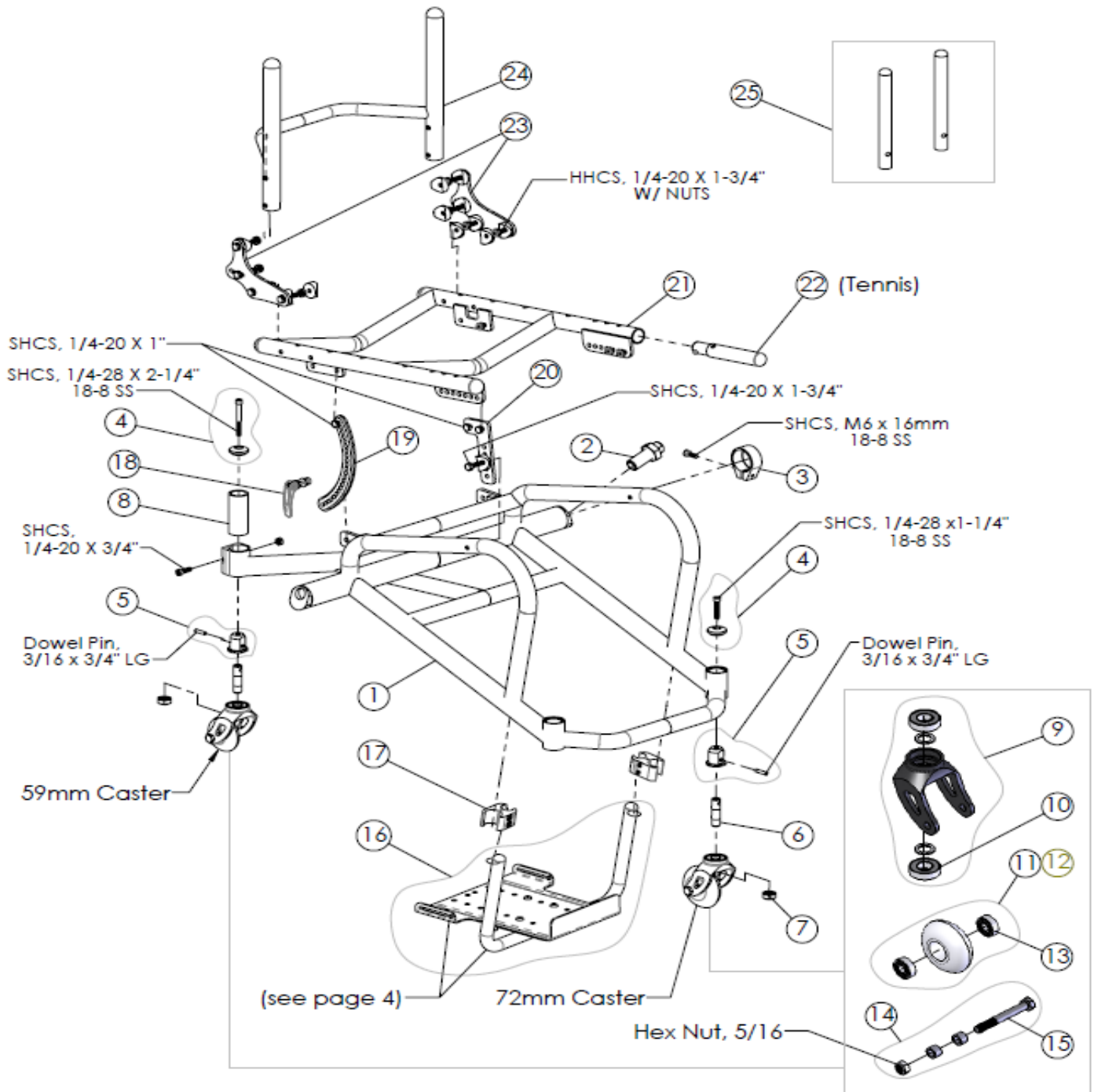
Pro BB & Pro Tennis





Sports and Recreation Products
 4501 63rd Circle North
 Pinellas Park, FL 33781
 (800) 532-8677 (727) 522-8677
 Fax: (727)522-1007

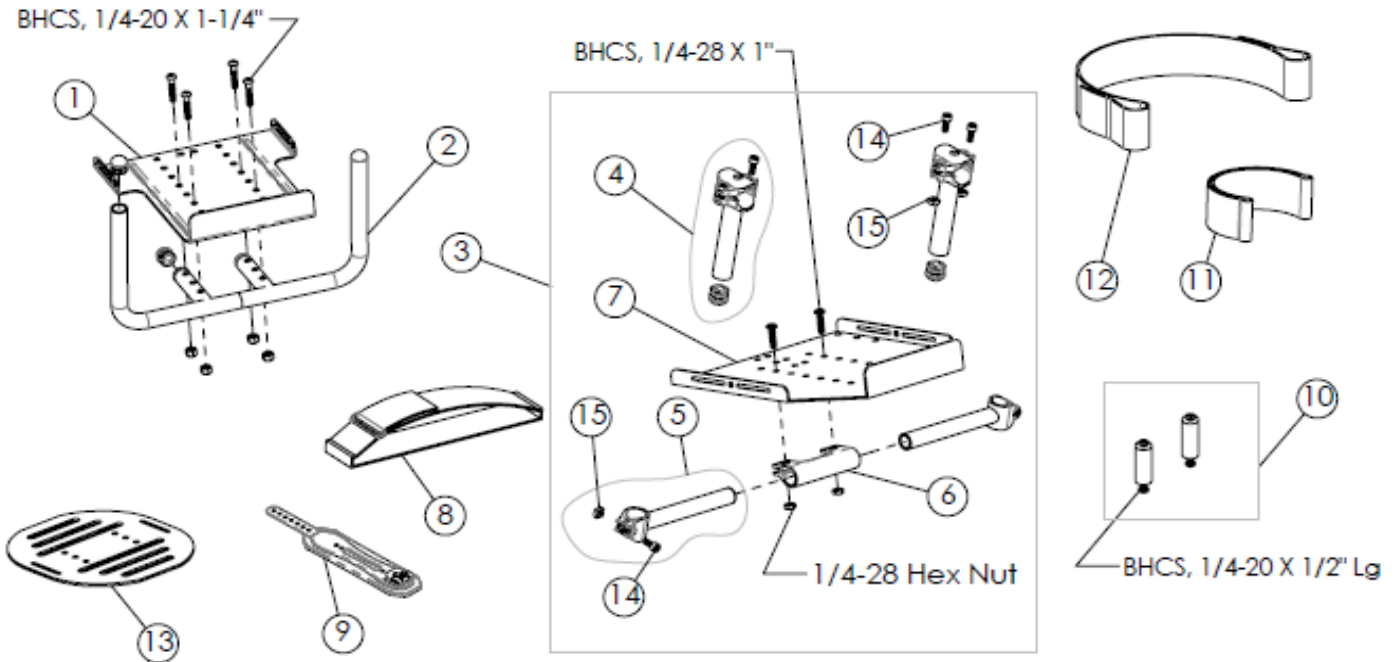
Parts Order Diagram Pro BB & Pro Tennis Frame / Parts



	Invacare Top End Sports and Recreation Products		Parts Order Diagram:	
	(800) 532-8677 (727) 522-8677 fax: (727) 522-1007		Pro BB, Pro-Tennis: Frame Assembly	
Date:	PO#:	SO#:		
Bill To:	Ship To:			
Quote #:	Phone:	Serial #:		

ITEM NO.	PART NUMBER	PER Chair	DESCRIPTION	ORDER QTY		
1	1153247	1	Pro BB Lower Frame, Aluminum, send new complete order form	Original Serial #: <input type="text"/>	<input type="text"/>	EA
	1153248	1	Pro Tennis Lower Frame, Aluminum, send new complete order form	Original Serial #: <input type="text"/>	<input type="text"/>	EA
2	1145947	2	Axle Receiver, Lock Washer, Washer, Nut Assembly (Sport)	<input type="text"/>	<input type="text"/>	EA
3	1060882	2	Camber Clamp Assembly	<input type="text"/>	<input type="text"/>	EA
	1061200	2	Screw, SHCS M6 x 16mm	<input type="text"/>	<input type="text"/>	EA
4	1166364	3	Headtube Cap	<input type="text"/>	<input type="text"/>	EA
	1180956	2	Washer, split-lock	<input type="text"/>	<input type="text"/>	EA
	1166537	2	Screw, 1/4-28 X 2-1/4" SHCS, Stainless Steel Rear Caster	<input type="text"/>	<input type="text"/>	EA
	1156718	2	Screw, 1/4-28 X 1-1/4" SHCS, Stainless Steel Front Caster	<input type="text"/>	<input type="text"/>	EA
5	1166541	3	Headtube Bushing & Dowel Pin (3/16 x 3/4" LG) Assembly	<input type="text"/>	<input type="text"/>	EA
6	1181048	3	Threaded Fork Stem	<input type="text"/>	<input type="text"/>	EA
7	1025737	3	Nut, 1/2"-20 Nylock (includes washer)	<input type="text"/>	<input type="text"/>	EA
8	1166383	1	Headtube, Anti-tip	<input type="text"/>	<input type="text"/>	EA
9	1145935	3	3" Insert Fork Assembly (includes fork and two bearings)	<input type="text"/>	<input type="text"/>	EA
10	1054030	2	Bearing, (1/2" ID x 1-1/8" OD), Fork (2 per each) Note: Bearings Require Pressing	<input type="text"/>	<input type="text"/>	EA
11	1145939	1	Anti-tip Caster (59mm) for Rear w/Bearings	<input type="text"/>	<input type="text"/>	EA
12	1139783	2	Front 3" Caster (72mm) w/ Composite Hub (Bearings Included)	<input type="text"/>	<input type="text"/>	EA
13	40117x026	2	Caster Bearing, (5/16" ID x 7/8" OD) (2 per Caster) Note: Bearings Require Pressing	<input type="text"/>	<input type="text"/>	EA
14	1139775	3	Caster Mounting Hardware Kit (Includes Bolt, Nut and (2) Spacers)	<input type="text"/>	<input type="text"/>	EA
16	1181155	1	Tubular Clamp-on Platform Footrest Assy. (Includes plate, mounting hardwares) After 02/15	Specify Seat Width: <input type="text"/>	<input type="text"/>	EA
17	1043712	2	Footrest Clamp 1- 3/4"	<input type="text"/>	<input type="text"/>	EA
18	1083913	2	Quick Release Lever for Adjustable Seat Height	<input type="text"/>	<input type="text"/>	EA
19	1156763	2	Link, Crescent Long (includes (1) Link and hardware) Rear	<input type="text"/>	<input type="text"/>	EA
20	1156764	2	Seat Link, Front (includes (1) Link and hardware)	<input type="text"/>	<input type="text"/>	EA
21	1153250	1	Seat Frame, Pro BB / Pro Tennis	Seat Depth: <input type="text"/>	Seat Width: <input type="text"/>	EA
22	1153277	2	Seat Extension Handle (includes handle, snap-pin, foam, plastic bushing)	<input type="text"/>	<input type="text"/>	EA
23	1156765	2	Backrest Bracket Asm (incl: (1) Bracket, (4) bolts, (4) coved washers, (4) nuts)	<input type="text"/>	<input type="text"/>	EA
24	1153112	1	Frame, Backrest	Back Height: <input type="text"/>	Seat Width: <input type="text"/>	EA
	1127929	1	Telescoping removable anti-tip (tennis chair)	<input type="text"/>	<input type="text"/>	EA
25	1026971	1	Adj. Height Extension (Pair), Folding Back with 8-11" Back Height	<input type="text"/>	<input type="text"/>	PR
	1026972	1	Adj. Height Extension (Pair), Folding Back: <input type="checkbox"/> 10-14" <input type="checkbox"/> 12-16" <input type="checkbox"/> 14-18" <input type="checkbox"/> 16-20" B.H.	<input type="text"/>	<input type="text"/>	PR

	Invacare Top End Sports and Recreation Products	Parts Order Diagram:	
	(800) 532-8677 (727) 522-8677 fax: (727) 522-1007	Pro BB, Pro-Tennis: Footrest Assy	
Date: <input type="text"/>	PO#: <input type="text"/>	SO#: <input type="text"/>	
Bill To: <input type="text"/>	Ship To: <input type="text"/>		
Quote #: <input type="text"/>	Phone: <input type="text"/>	Serial #: <input type="text"/>	



ITEM NO.	PART NUMBER	PER Chair	DESCRIPTION	ORDER QTY	
1	1181154	1	Platform Footplate Small (After 02/15)	<input type="text"/>	EA
2	1181153	1	Tubular Weldment, Platform Mount (After 02/15)	<input type="text"/>	EA
3	1156728	1	Platform Footrest, Assy., (includes plate, hardware, mounting tubes & clamps) Before 02/15	<input type="text"/>	EA
4	1195470	2	Footrest Clamp - 5" Long Vertical Recessed	<input type="text"/>	EA
	1195471	2	Footrest Clamp - 4" Long Vertical Recessed	<input type="text"/>	EA
5	1195472	2	Footrest Clamp - 5.5" Long Horizontal Recessed	<input type="text"/>	EA
	1195473	2	Footrest Clamp - 6.5" Long Horizontal Recessed	<input type="text"/>	EA
	1195474	2	Footrest Clamp - 7.5" Long Horizontal Recessed	<input type="text"/>	EA
	1195475	2	Footrest Clamp - 8.5" Long Horizontal Recessed	<input type="text"/>	EA
6	1166173	1	Clamp, Footrest	<input type="text"/>	EA
7	1153152	1	Platform Footplate Large (before 02/2015)	<input type="text"/>	EA
8	1153249	1	Strap, D-Ring Footrest (30")	<input type="text"/>	EA
9	1181314	1	Footrest, Click Strap upgrade Asm, Platform	<input type="text"/>	EA
10	1116577	1	Adaptive Footplate Spacer Kit (spacers & screws), <input type="checkbox"/> 2" <input type="checkbox"/> 4" <input type="checkbox"/> 6"	<input type="text"/>	PR
11	1065301	1	Heel Loop (includes (1) Loop, (2) spacers, (2) screws, (2) nuts)	<input type="text"/>	EA
12	1054151	1	Leg and Calf Strap, 36" (use for SW: 10", 11", 12", 13")	<input type="text"/>	EA
	1054152	1	Leg and Calf Strap, 41" (use for SW: 14", 15", 16")	<input type="text"/>	EA
	1054153	1	Leg and Calf Strap, 46" (use for SW: 17", 18", 19", 20")	<input type="text"/>	EA
13	1142938	1	Oval, Footplate only (7-1/2" wide)	<input type="text"/>	EA
14	1139755	6	Screw, M6-1 x 16mm SHCS SS	<input type="text"/>	EA
15	1180957	6	Square Nut, M6-1 Round Top Zinc	<input type="text"/>	EA



Invacare Top End Sports and Recreation Products

(800) 532-8677 (727) 522-8677 fax: (727) 522-1007

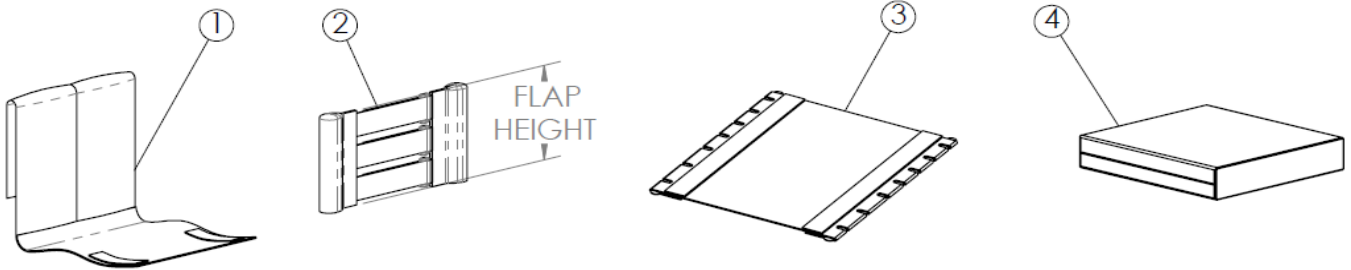
Parts Order Diagram:

Pro BB, Pro-Tennis: Rear Wheels

Date:	PO#:	SO#:
Bill To:	Ship To:	
Quote #:	Phone:	Serial #:

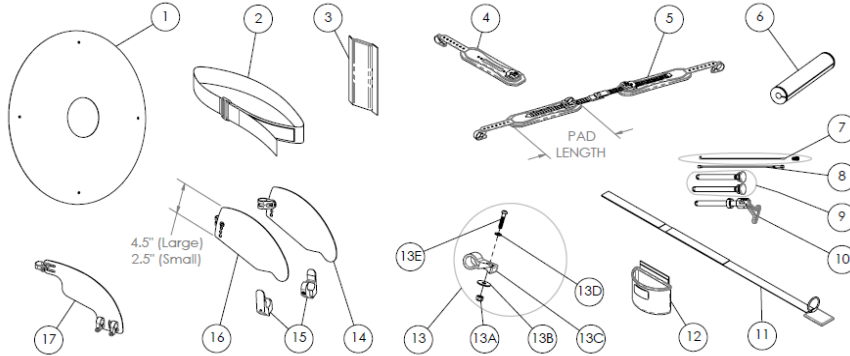
	ITEM NO.	PART NUMBER	PER CHAIR	DESCRIPTION	QTY	
WHEELS	1	1054054	2	24" (540) Sun Performance Rear Wheel: Radial		EA
		1166468	2	24" (540) Sun Equalizer Sport Wheel, (36 spoke, cross-laced, Includes 6 tabs HR)		EA
	2	1060202	2	24" (540) Spinergy SPOX Wide Hub <input type="checkbox"/> Yellow <input type="checkbox"/> Black <input type="checkbox"/> Blue <input type="checkbox"/> White <input type="checkbox"/> Red		EA
		1156703	2	24" (540) Spinergy SLX (4mm spoke) <input type="checkbox"/> Yellow <input type="checkbox"/> Black <input type="checkbox"/> Blue <input type="checkbox"/> White <input type="checkbox"/> Red		EA
	1	1054055	2	25" (559) Sun Performance Rear Wheel: Radial		EA
		1166465	2	25" (559) Sun Equalizer Wheel, (38 spoke, cross-laced, Includes 12 tabs HR)		EA
	2	1060892	2	25" (559) Spinergy SPOX Wide Hub <input type="checkbox"/> Yellow <input type="checkbox"/> Black <input type="checkbox"/> Blue <input type="checkbox"/> White <input type="checkbox"/> Red		EA
		1156704	2	25" (559) Spinergy SLX (4mm spoke) <input type="checkbox"/> Yellow <input type="checkbox"/> Black <input type="checkbox"/> Blue <input type="checkbox"/> White <input type="checkbox"/> Red		EA
	1	1054056	2	26" (590) Sun Performance Rear Wheel: Radial		EA
		1166466	2	26" (590) Sun Equalizer Sport Wheel, (48 spoke, cross-laced, Includes 12 tab HR)		EA
	2	1059424	2	26" (590) Spinergy SPOX Wide Hub <input type="checkbox"/> Yellow <input type="checkbox"/> Black <input type="checkbox"/> Blue <input type="checkbox"/> White <input type="checkbox"/> Red		EA
		1156705	2	26" (590) Spinergy SLX (4mm spoke) <input type="checkbox"/> Yellow <input type="checkbox"/> Black <input type="checkbox"/> Blue <input type="checkbox"/> White <input type="checkbox"/> Red		EA
HANDRIMS	3	1054083	2	24" Anodized Handrim 6-tab		EA
		1060873	2	24" Titanium Handrim 6-tab		EA
		1054085	2	25" Anodized Handrim 6-tab		EA
		1054087	2	26" Anodized Handrim 6-tab		EA
	4	1152955	2	25" Anodized Handrim, 12-tab (only on Spinergy) (requires 2 sets of HW/ handrim)		EA
		1152956	2	26" Anodized Handrim, 12-tab (only on Spinergy) (requires 2 sets of HW/ handrim)		EA
	5	1145898	2	Handrim Hardware Kit (6) 10-32 x 1/2" Screws, (6) 10-32 Locknuts		EA
TIRES AND TUBES		1054064	2	24" (540) Primo V Track High Pressure Clincher Tire		EA
		1195207	2	24" (540) Primo Tire, Clincher, Red (recommended to purchase in pairs to ensure matching tires)		EA
		1127918	2	24" (540) Kenda Sport Tire, Clincher, Yellow		EA
		1060154	2	24" (540) Tube (Presta Valve)		EA
		1032240	2	24" (540) Tube (Schrader Valve)		EA
		1054067	2	25" (559) Primo V Track High Pressure Clincher Tire		EA
		1195208	2	25" (559) Primo Tire, Clincher, Red (recommended to purchase in pairs to ensure matching tires)		EA
		1127919	2	25" (559) Kenda Sport Tire, Clincher, Yellow		EA
		1060155	2	25" (559) Tube (Presta Valve)		EA
		1181703	2	25" (559) Tube (Schrader Valve)		EA
		1054066	2	26" (590) Primo V Track High Pressure Clincher Tire		EA
		1195209	2	26" (590) Primo Tire, Clincher, Red (recommended to purchase in pairs to ensure matching tires)		EA
		1127920	2	26" (590) Kenda Sport Tire, Clincher, Yellow		EA
		1054074	2	26" (590) Tube (Presta Valve)		EA
		1029471	2	26" (590) Tube (Schrader Valve)		EA
		1185080	2	Rim Strip, Nylon 24" (540) x 16mm Wide		EA
		1185081	2	Rim Strip, Nylon 25" (559) x 16mm Wide		EA
		1185082	2	Rim Strip, Nylon 26" (590) x 16mm Wide		EA
	1139811	2	Rim Strip, Nylon 700C x 16mm Wide		EA	
OTHER		1054030	4	Bearing, 1/2" [1-1/8"x1/2"x5/16"] Rear Wheel		EA
		TER40	2	Cut Tabs Aluminum pushrim		EA
		TERTi40	2	Cut Tabs Titanium pushrim		EA
		NA	1	Assemble Wheel: <input type="checkbox"/> Yes <input type="checkbox"/> No		EA
		NA	1	Handrim Mount: <input type="checkbox"/> STD Mount <input type="checkbox"/> Close		EA

	Invacare Top End Sports and Recreation Products	Parts Order Diagram:
	(800) 532-8677 (727) 522-8677 fax: (727) 522-1007	Pro BB, Pro-Tennis: Upholstery
Date: <input type="text"/>	PO#: <input type="text"/>	SO#: <input type="text"/>
Bill To: <input type="text"/>	Ship To: <input type="text"/>	
Quote #: <input type="text"/>	Phone: <input type="text"/>	Serial #: <input type="text"/>



ITEM NO.	PART NUMBER	PER Chair	DESCRIPTION			ORDER QTY	
1	1127960	1	Back Center	Back Height:	Seat Width: <input type="text"/>	<input type="text"/>	EA
2	1181597	1	Adj. Tension Back Anc & Adj 3.0" Flap	Typically used for low back heights with side guards	Seat Width: <input type="text"/>	<input type="text"/>	EA
	1181598	1	Adj. Tension Back Anc & Adj 4.0" Flap	Typically used for low back heights with side guards	Seat Width: <input type="text"/>	<input type="text"/>	EA
	1181599	1	Adj. Tension Back Anc & Adj 5.0" Flap	(BH: 8" Fixed)	Seat Width: <input type="text"/>	<input type="text"/>	EA
				(BH: 8.5" Fixed)			
				(BH: 9" Fixed)			
				(BH: 9.5" Fixed)			
	1181600	1	Adj. Tension Back Anc & Adj 6.0" Flap	Typically used for low back heights with side guards	Seat Width: <input type="text"/>	<input type="text"/>	EA
	1181807	1	Adj. Tension Back Anc & Adj 7.0" Flap	(BH: 10" Fixed & 10-14" Adj)	Seat Width: <input type="text"/>	<input type="text"/>	EA
				(BH: 10.5" Fixed & 10-14" Adj)			
				(BH: 11" Fixed & 10-14" Adj)			
(BH: 11.5" Fixed & 10-14" Adj)							
1181601	1	Adj. Tension Back Anc & Adj 8.0" Flap	(BH: 12" Fixed & 12-16" Adj)	Seat Width: <input type="text"/>	<input type="text"/>	EA	
			(BH: 12.5" Fixed & 12-16" Adj)				
			(BH: 13" Fixed & 12-16" Adj)				
			(BH: 13.5" Fixed & 12-16" Adj)				
1181603	1	Adj. Tension Back Anc & Adj 10.0" Flap	(BH: 14" Fixed & 14-18" Adj)	Seat Width: <input type="text"/>	<input type="text"/>	EA	
			(BH: 14.5" Fixed & 14-18" Adj)				
			(BH: 15" Fixed & 14-18" Adj)				
			(BH: 15.5" Fixed & 14-18" Adj)				
1181605	1	Adj. Tension Back Anc & Adj 12.0" Flap	(BH: 16" Fixed & 16-20" Adj)	Seat Width: <input type="text"/>	<input type="text"/>	EA	
			(BH: Larger Than 16" Fixed & 16-20" Adj)				
	1181185	1	Leather Upgrade, w/Alum Dome Plug Back Style: <input type="checkbox"/> Fixed <input type="checkbox"/> Adjustable	Back Height: <input type="text"/>	Seat Width: <input type="text"/>	<input type="text"/>	EA
3	1054280	1	Screw-on Seat Upholstery	Seat Width: <input type="text"/>	Seat Depth: <input type="text"/>	<input type="text"/>	EA
4	1195327	1	Self Seat Cushion, 2" Thick	Seat Width: <input type="checkbox"/> 10" <input type="checkbox"/> 12" <input type="checkbox"/> 14" <input type="checkbox"/> 16" <input type="checkbox"/> 18"	<input type="text"/>	<input type="text"/>	EA
	1195328	1	Self Seat Cushion, 3" Thick	Seat Width: <input type="checkbox"/> 10" <input type="checkbox"/> 12" <input type="checkbox"/> 14" <input type="checkbox"/> 16" <input type="checkbox"/> 18"	<input type="text"/>	<input type="text"/>	EA
	1195329	1	Self Seat Cushion, 4" Thick	Seat Width: <input type="checkbox"/> 10" <input type="checkbox"/> 12" <input type="checkbox"/> 14" <input type="checkbox"/> 16" <input type="checkbox"/> 18"	<input type="text"/>	<input type="text"/>	EA
	1060130	1	Hard Cushion	<input type="checkbox"/> 2 in. <input type="checkbox"/> 3 in. <input type="checkbox"/> 4 in.	Seat Width: <input type="text"/>	Seat Depth: <input type="text"/>	EA

	Invacare Top End Sports and Recreation Products	Parts Order Diagram:
	(800) 532-8677 (727) 522-8677 fax: (727) 522-1007	Pro BB, Pro-Tennis: Accessories
Date:	PO#:	SO#:
Bill To:	Ship To:	
Quote #:	Phone:	Serial #:



1	1059416	2	24" Spoke Guard Assembly, Black			EA	
	1195304	2	24" Spoke Guard Assembly, Clear			EA	
	1195306	2	25" Spoke Guard Assembly, Black			EA	
	1195305	2	25" Spoke Guard Assembly, Clear			EA	
	1059417	2	26" Spoke Guard Assembly, Black			EA	
	1195307	2	26" Spoke Guard Assembly, Clear			EA	
2	1195217	1	10" Seat Positioning Strap, Hook & Loop Style			EA	
	1195218	1	12" Seat Positioning Strap, Hook & Loop Style			EA	
	1195219	1	14" Seat Positioning Strap, Hook & Loop Style			EA	
	1195220	1	16" Seat Positioning Strap, Hook & Loop Style			EA	
	1195221	1	18" Seat Positioning Strap, Hook & Loop Style			EA	
3	1145900	1	Front Frame Vertical Protectors (pair)			PR	
4	1152963	1	Click Strap Set, 8" Pad Length (Small) (includes 4 heavy duty zip-ties)			EA	
	1152964		Click Strap Set, 10" Pad Length (Medium) (includes 4 heavy duty zip-ties)			EA	
	1152965		Click Strap Set, 12" Pad Length (Large) (includes 4 heavy duty zip-ties)			EA	
5	1181539	2	Replacement 8" Single Pad, Small (includes 2 heavy duty zip-ties)			EA	
	1181565		Replacement 10" Single Pad, Medium (includes 2 heavy duty zip-ties)			EA	
	1181566		Replacement 12" Single Pad, Large (includes 2 heavy duty zip-ties)			EA	
	1152983	na	Zip-tie, Heavy Duty, 8"x5/16" 120lbs (black)			EA	
6	1146046	1	Sport Rear Frame Protector			EA	
7	1059514	na	Metal Spoke w/Nipple	Wheel Size: <input type="checkbox"/> 24" <input type="checkbox"/> 25" <input type="checkbox"/> 26" <input type="checkbox"/> 700C	<input type="checkbox"/> Radial <input type="checkbox"/> Crossed	EA	
8	1060803	na	Spinerigy Spox Spoke (3mm) w/ Nipple	Wheel Size: <input type="checkbox"/> 24" <input type="checkbox"/> 25" <input type="checkbox"/> 26" <input type="checkbox"/> 700C	Wheel Color: <input type="checkbox"/> Yellow <input type="checkbox"/> Black <input type="checkbox"/> White <input type="checkbox"/> Red <input type="checkbox"/> Blue	Hub Size <input type="checkbox"/> Wide <input type="checkbox"/> Narrow	EA
	1156712	na	Spinerigy LX/SLX Spoke (4mm)	Wheel Size: <input type="checkbox"/> 24" <input type="checkbox"/> 25" <input type="checkbox"/> 26" <input type="checkbox"/> 700C	Wheel Color: <input type="checkbox"/> Yellow <input type="checkbox"/> Black <input type="checkbox"/> White <input type="checkbox"/> Red <input type="checkbox"/> Blue	Hub Size <input type="checkbox"/> Wide <input type="checkbox"/> Narrow	EA
9	1065303	2	Axle, Quick Release, Standard Length			EA	
	1060140	2	Axle, Quick Release, Sport Length			EA	
	1060842	2	Axle, Quick Release, Titanium for Standard Length			EA	
	1060843	2	Axle, Quick Release, Titanium Sport Length			EA	
10	1043487	2	Axle, Quad Release, Standard Length			EA	
11	1166701	1	Metal O-Ring Belt - Specify Seat Width: <input type="text"/>			EA	
12	1181578	NA	Tennis Ball Carry Bag			EA	
13	1181517	2	Webbing mount (Nylon)for Click Strap [with Hardware: 1 screw, 2 washers, 1 nut]			EA	
13A	1025195	2	Locknut, 1/4-20 Thin			EA	
13B	1166464	2	Washer, 0.281 x 1 x 0.063			EA	
13C	1166622	2	Webbing mount for Click Strap			EA	
13D	1026907	2	Washer, 0.257 x 0.5 x 0.055			EA	
13E	1008432	2	Screw, 1/4"-20 x 1-1/4" in. Black			EA	
14	1153016	1	Fold-In Side Guard Panel w/ Pivot Bracket, Left	<input type="checkbox"/> Large	<input type="checkbox"/> Small	EA	
15	1156696	1	Seat Clamps for Fold-In Side Guards (1" Frame Tubing)			EA	
16	1153017	1	Fold-In Side Guard Panel w/ Pivot Bracket, Right	<input type="checkbox"/> Large	<input type="checkbox"/> Small	EA	
17	1181811	2	Clamp-On Fixed Side Guard Assembly, 1" Clamp Large (9"x 14")			EA	
	1181804	2	Clamp-On Fixed Side Guard Assembly, 1" Clamp Small (7"x 11")			EA	
	TER148	NA	Basketball Carrying Bag			PR	